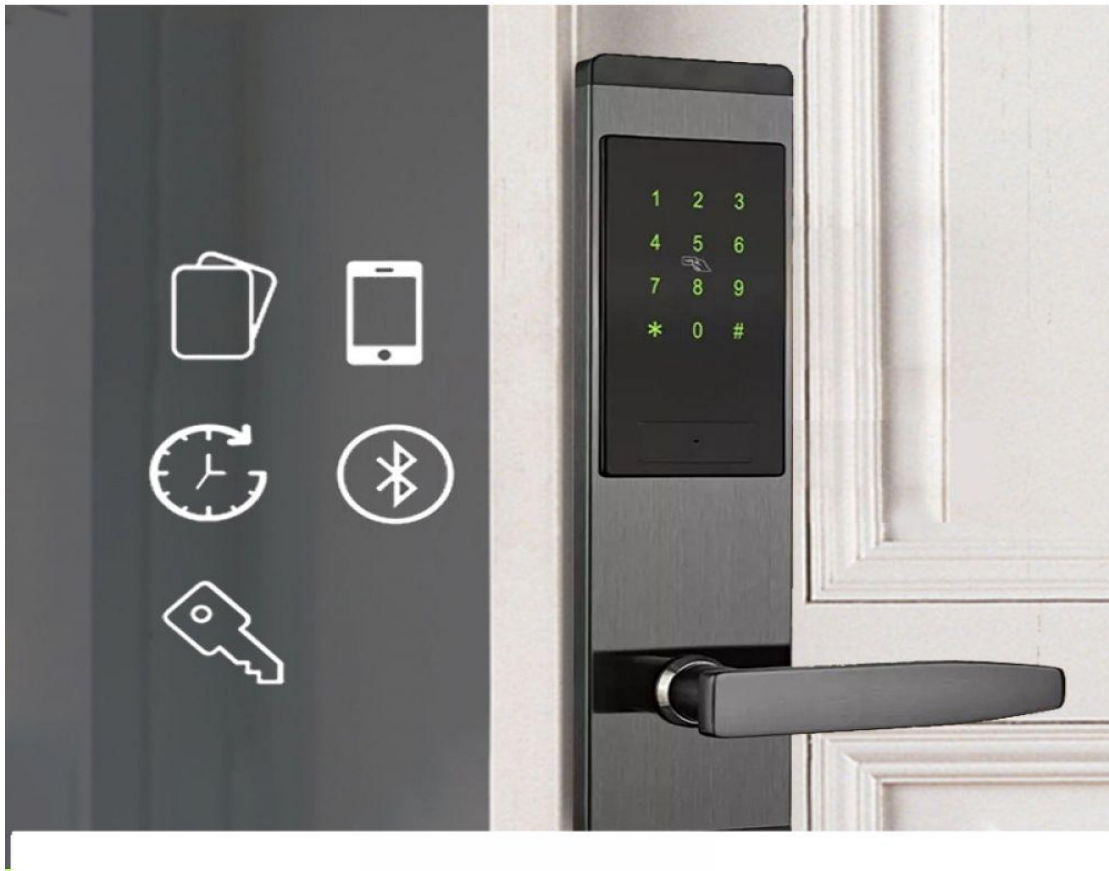




Trendy Hardware with Passion

Range 2 Smart Door Locks



www.domusitalya.com

info@domusitalya.com


Galeon by D.I.
Made In China



Trendy Hardware with Passion

Part 1
Multi-Function Smart Locks



www.domusitalya.com

info@domusitalya.com

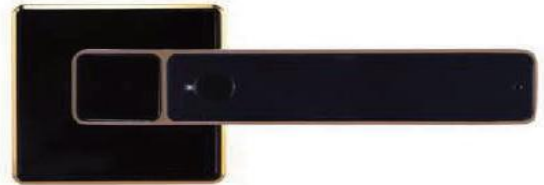


RESIDENTIAL LOCKS



 **Bluetooth**

 **tuya**



Material	Aluminium alloy
Mortise	Tubular latch, (other mortises optional)
Door thickness	35-80mm
Power	Built in rechargeable battery
Charging time	30mins
Battery life	8000 cycles
Emergency power supply	USB
Operating temperature	-20°C--65°C
Operating humidity	0-90%
Fingerprint sensor	Semiconductor
User capacity	40 FP (60 PW optional)
Mechanical key	2pcs
Stand-by time	500 days



DHSLY001

RESIDENTIAL LOCKS



 **Bluetooth**



Material	Zinc Alloy,Acrylic
Mortise	50/50 mortise or tubular latch
Applicated Door Thickness	28~110mm
Power	6V(Alkaline AA battery x4)
Battery Life Time	5000~6000 times
Emergency Power	Micro-USB
Operating Temperature	-15~55°C
Password	4~8Digits
Mechanical key	2keys
Card	Mifae(13.56MHZ)
User Capacity	30(PW)or100(CARD)



DHSLY6675

RESIDENTIAL LOCKS



Bluetooth



Material	No.304 Stainless Steel
Mortise	European Mortises
Door thickness	30-100mm
Power	6V(Alkaline AA battery x4)
Battery life Time	5000~6000 times
Emergency power	Micro-USB
Operating temperature	-15°C~55°C
Fingerprint sensor	Semiconductor
Password	6 Digits
Mechanical key	2 keys



Access Ways



BT key



Card unlocking



Fake Password



Voice Navigation



Free Handle



Intrusion prevention



Low Battery Alert



Touch keypad



Auto lock



Dual security



User management

DHSLY6676

RESIDENTIAL LOCKS



Material	Aluminium alloy
Mortise	All types of mechanical mortises
Door thickness	30-100mm
Power	6V (Alkaline AAA batteries X4)
Low battery power	4.8±0.2V
Battery life	10000 cycles
Emergency power supply	USB
Operating temperature	-20°C--65°C
Operating humidity	20-90%
Fingerprint sensor	Semiconductor
User capacity	300 groups FP+PW+card
Mechanical key	2pcs
Door direction	Universal



DHSLY8835

RESIDENTIAL LOCKS



Material	Aluminium alloy
Mortise	Center Distance:68mm;Backset:60mm
Applied Door Thickness	35~110mm
Power	6V(Alkaline AA battery x4)
Battery Life Time	5000~6000 times
Emergency Power	Micro-USB
Operating Temperature	-15~55°C
Fingerprint Sensor	Semiconductor Sensor
Password	6 Digits
Mechanical key	2 keys

- Access Ways
- Card unlocking
- Fake Password
- Free Handle
- Voice Navigation
- Anti Intruder
- Intrusion prevention
- Low Battery Alert
- Touch keypad
- Auto lock
- Dual security
- User management
- Reversible handle right/left design
- Anti-peep hole open
- doorbell
- C degree cylinder

DHSLY8880

RESIDENTIAL LOCKS



Material	Aluminium alloy
Mortise	Center Distance:68mm;Backset:60mm
Applicated Door Thickness	35~110mm
Power	6V(Alkaline AA battery x4)
Battery Life Time	5000~6000 times
Emergency Power	Micro-USB
Operating Temperature	-15~55°C
Fingerprint Sensor	Semiconductor Sensor
Password	6 Digits
Mechanical key	2 keys

- Access Ways
- Card unlocking
- Fake Password
- Free Handle
- Voice Navigation
- Anti Intruder
- Intrusion prevention
- Low Battery Alert
- Touch keypad
- Auto lock
- Dual security
- User management
- Reversible handle right/left design
- Anti-peep hole open
- doorbell
- C degree cylinder

DHSLY8881

RESIDENTIAL LOCKS



Material	Aluminium alloy
Mortise	Center Distance:68mm;Backset:60mm
Applicated Door Thickness	35~110mm
Power	6V(Alkaline AA battery x4)
Battery Life Time	5000~6000 times
Emergency Power	Micro-USB
Operating Temperature	-15~55°C
Fingerprint Sensor	Semiconductor Sensor
Password	6 Digits
Mechanical key	2 keys

- Access Ways
- Card unlocking
- Fake Password
- Free Handle
- Voice Navigation
- Anti Intruder
- Intrusion prevention
- Low Battery Alert
- Touch keypad
- Auto lock
- Dual security
- User management
- Reversible handle right/left design
- Anti-peep hole open
- App unlock
- C degree cylinder

DHSLY8826

RESIDENTIAL LOCKS



Material	Zinc Alloy,Acrylic
Mortise	Center Distance:68mm;Backset:60mm
Applicated Door Thickness	35~110mm
Power	6V(Alkaline AA battery x4)
Battery Life Time	5000~6000 times
Emergency Power	Micro-USB
Operating Temperature	-15~55°C
Fingerprint Sensor	Optical Sensor
Password	6 Digits
Mechanical key	3 keys



DHSLY8861

RESIDENTIAL LOCKS



Material	Zinc Alloy,Acrylic
Mortise	Center Distance:68mm;Backset:60mm
Applicated Door Thickness	35~110mm
Power	6V(Alkaline AA battery x4)
Battery Life Time	5000~6000 times
Emergency Power	Micro-USB
Operating Temperature	-15~55°C
Pin code	6-10 digits
Card	Mifare 1 ((13.56MHz)
Mechanical key	3 keys
User capacity	30 (PW)+993(CARD)

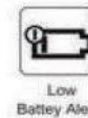


DHSLY8861C

GLASS LOCKS



Material	Zinc Alloy,Acrylic
Mortise	Integrated
Applicated Door Thickness	10-12mm Glass Door
Power	6V(Alkaline AA battery x4)
Battery Life Time	5000~6000 times
Emergency Power	Micro-USB
Operating Temperature	-15~55°C
Fingerprint Sensor	Optical
Password	6-10 digits
User capacity	99(PW)+300(CARD)+300(FP)



DHSLY8832



Trendy Hardware with Passion

Part 2

Hotel Smart Locks



www.domusitalya.com

info@domusitalya.com





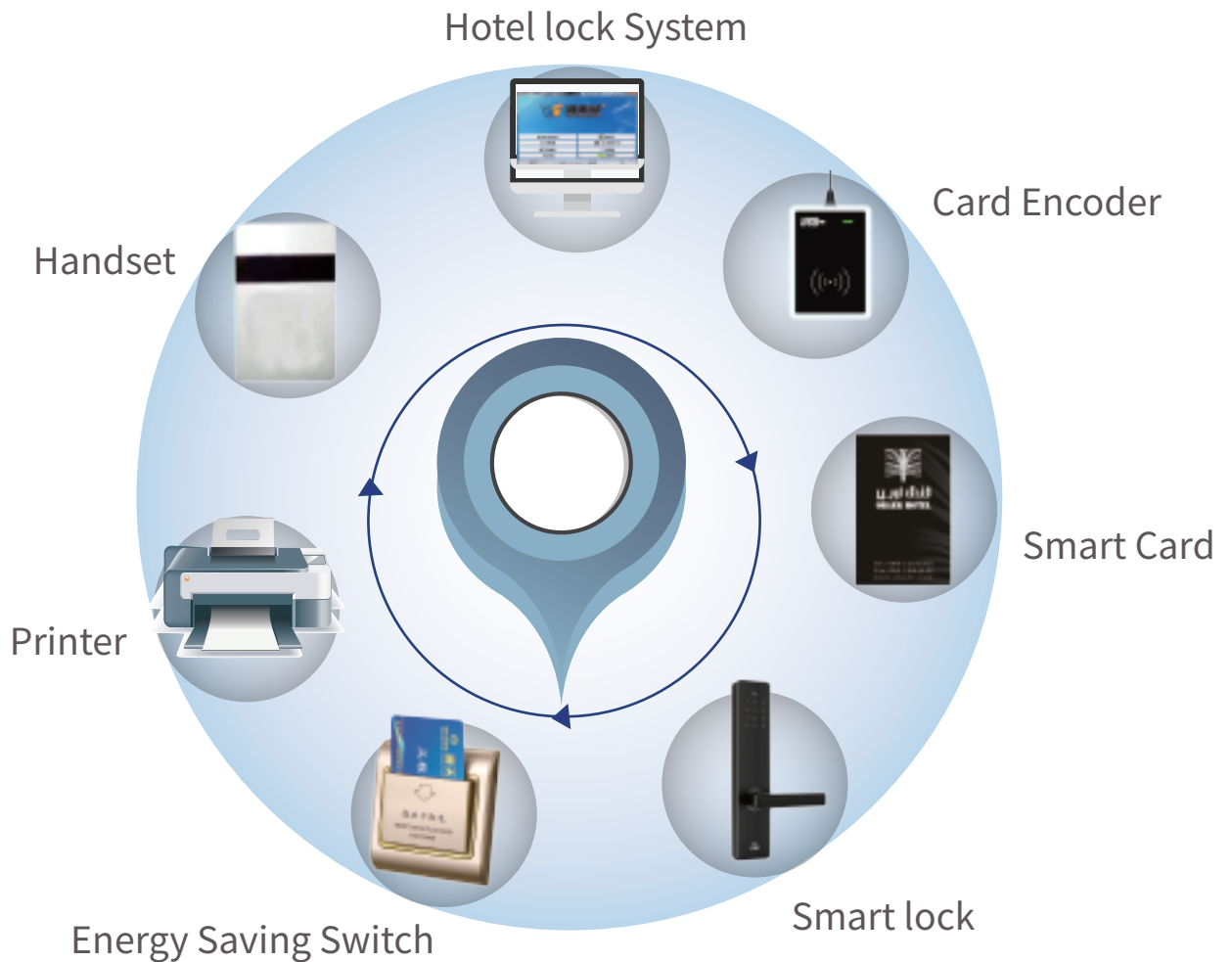
Hotel Smart Door Lock Series



To Be The Best Enterprises
To Make The brand

» Solutions for Management system

Hotel intelligent door lock system is a set of software and hardware integrated system, which is composed of the following parts



» software system:

Operating system that can run Windows 3.1 or more.

» Management software:

The system is managed, including setting the function of door lock, restricting the authority of the cardholder, reading the record of unlocking, adjusting the clock in the lock, etc.

» Card making module:

Connect with computer USB interface, read and write the smart card.

» Smart cards are divided into:

Open card and management card.

» Open-door card is divided into five levels of management:

Room card, cleaning card, floor card, building card, general card.

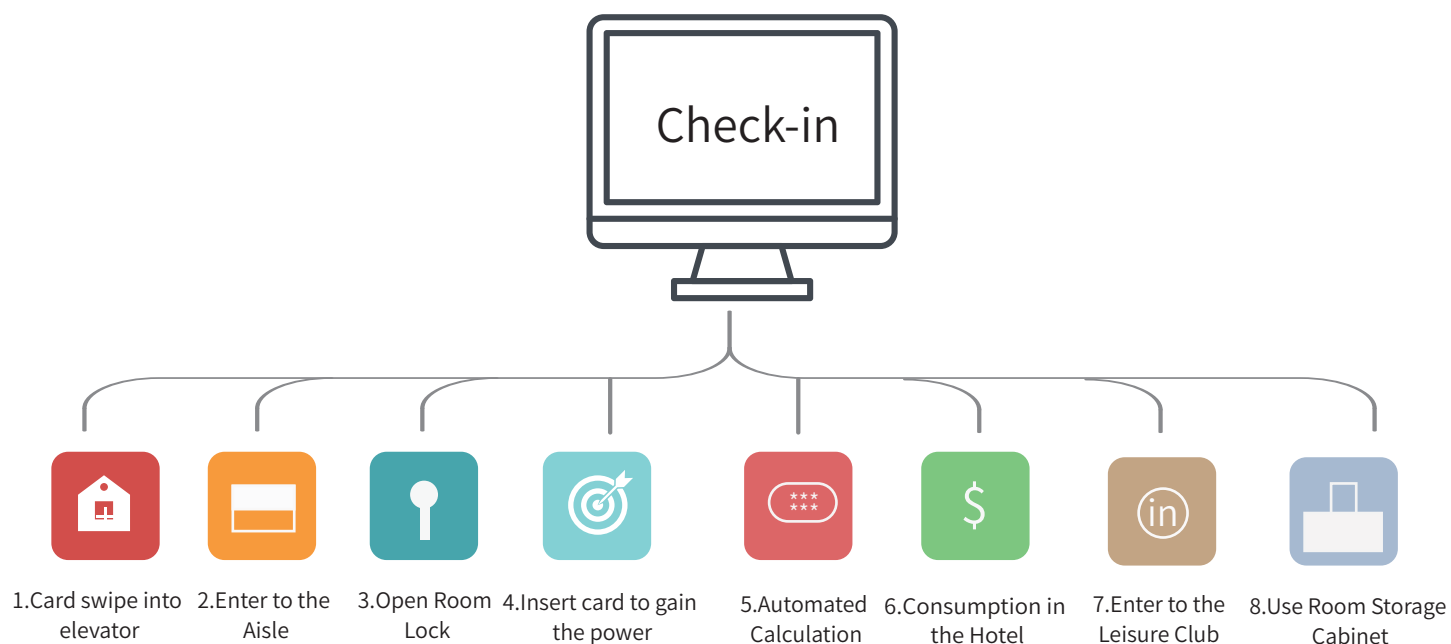
» The functional distinction of management card includes:

Setting card, time card, record card, restriction card.

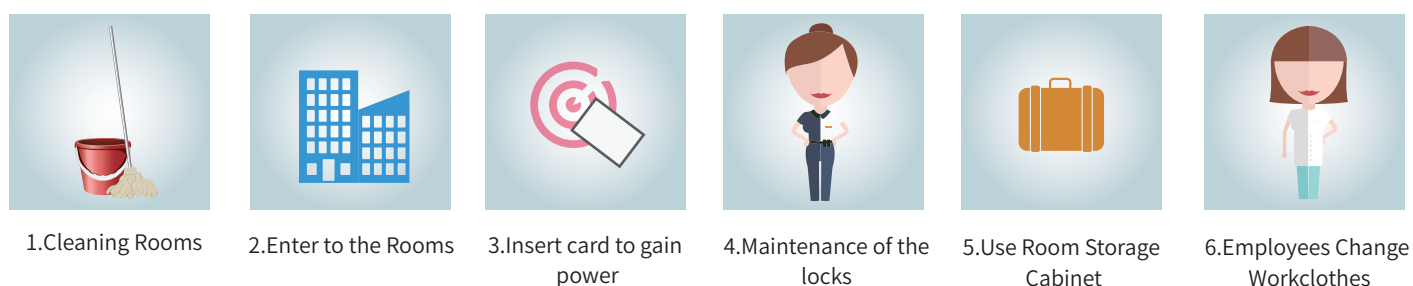
» IC card type:

TemicE5557/M1FARE-1 card/apartment ID board.

»» MIFARE ONE(MFI)card Functional Extension



»» Internal Controls



»» Function characteristics

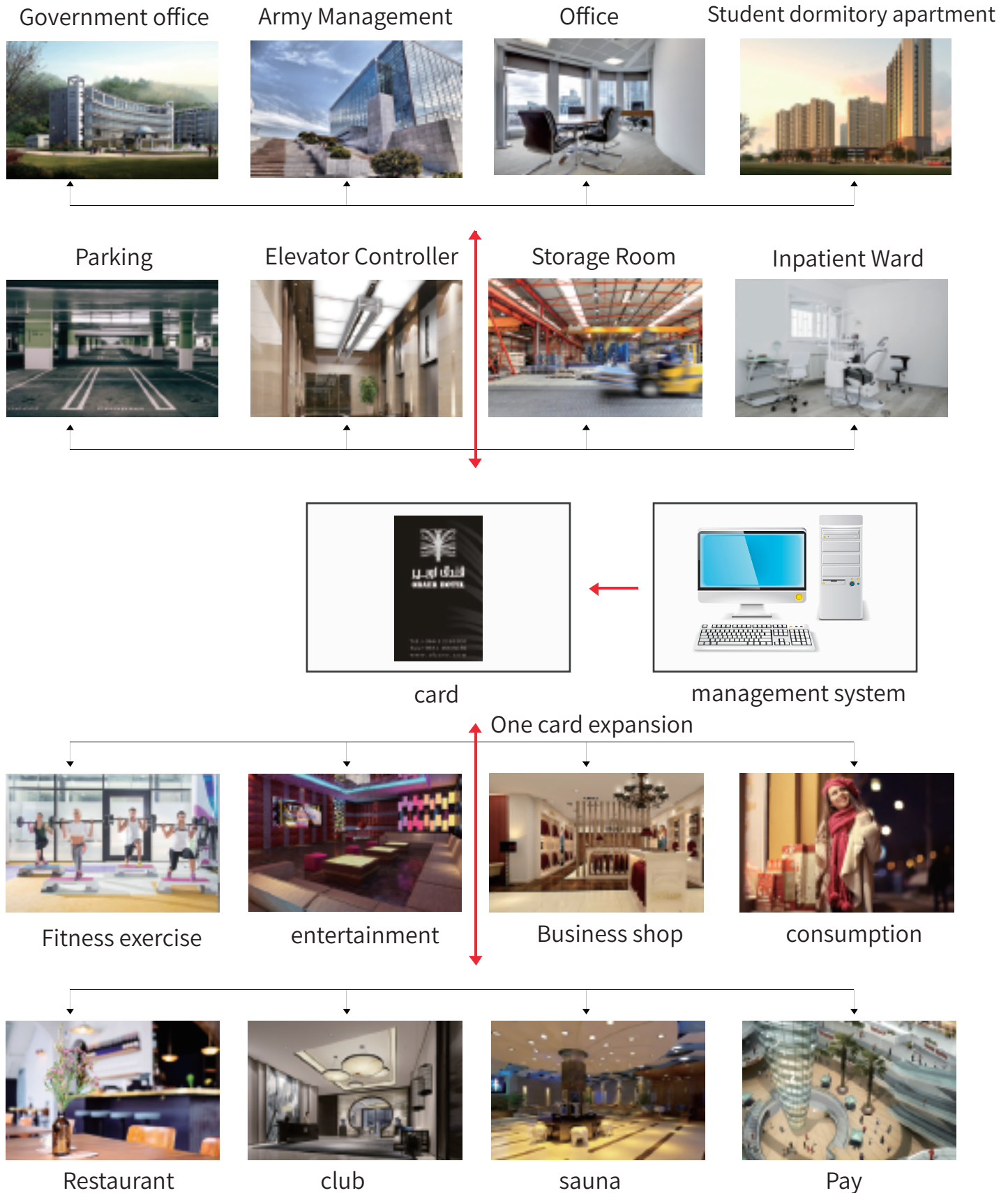
Hotel management system adopt MIFARE-1 as the core point, combining the hotel lock management, accessmanagement, accessmanagement system, parking all these to be a organic part, one card can be enough to use at all theonsuming, it is a better way to avoid the troble, it makes things easier, simple, tguarantee the different dept operationindependence, also guarantee the systematic Management。

Due to that induction type cards have many benefits of high capacity high capacity, high reliability (no mechanicalinfluence) high security, easy iperations and long life time. they have been widely used into various kinds of buldings. public Chargings, the communities, school and factories.

» Other Application

Smart door locks, provide not only an Integrated and systematic application of management for hotels, but also safe and convenient managerial solutions for schools, hospitals, buildings, government, military and other public places to provide.

Electronic locks provide the mature and complete access control, and flexible and convenient management system, to ensure the ID verifications, tracking records, and access rights.

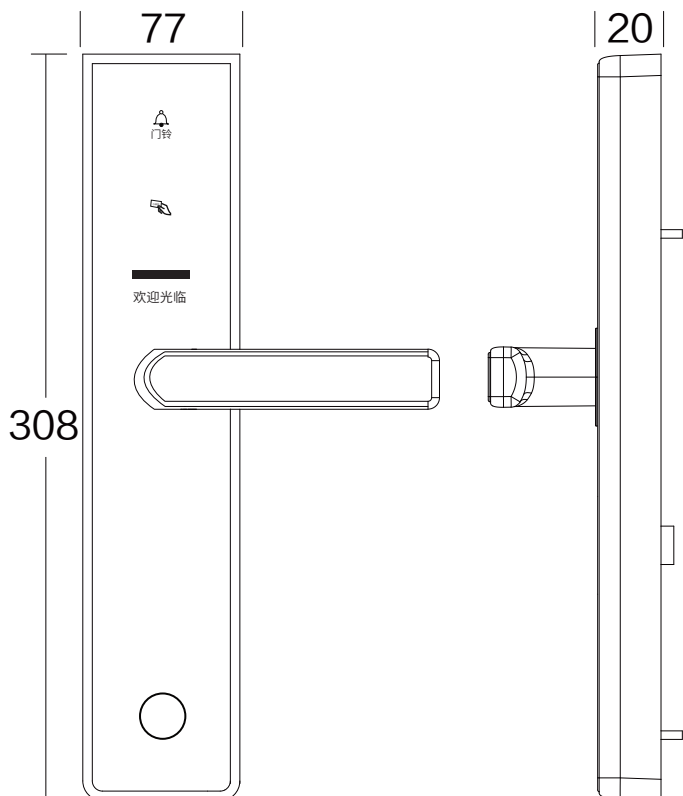


Hotel Intelligent Door Lock

Simple, firm and durable appearance design style, stainless steel panel with alloy steel lining composite structure. Industrial grade motherboard design, Fully automatic SMI process, surface three-proof special treatment of high safety lock body, using the anti-interference function of American standard five-tongue lock body, can rotate the indoor knob.



SIZE (MM)



Emergency interface



Bring your own doorbell

Model Section B Upgraded Edition

Material 304 stainless steel + inner steel plate

Colour Black

Section B Upgraded Edition



Indoor lock

Outdoor lock

PARAMETER

Model	Section B Upgraded Edition	Method	Non-contact induction type
Unlock	Sensor cards. keys	Number	255 sheets
Time	<1S	Distance	<3CM
Frequency	125KHZ (T5557)	Frequency	13.56MHZ (M1)
Battery quantity	Four LR6 alkaline batteries	Voltage	1.5V
Low Voltage Alarm	< 4.8V	Induction distance	0-5CM
Quiescent current	<20 μ A	Dynamic current	<120mA
Temperature	-10 $^{\circ}$ C-60 $^{\circ}$ C(-20 $^{\circ}$ C-70 $^{\circ}$ C)	Thickness	38-55MM
Type	Temic E5557/M1FARE-1 card//apartment ID board (Customized according to customer requirements)		

Square series



A Gold



A Silver



A Section Red Bronze



A Black



B Gold



B Silver



B Section Red Bronze



B Black



B Upgraded Gold



B Upgraded Silver



B Upgraded Red Bronze



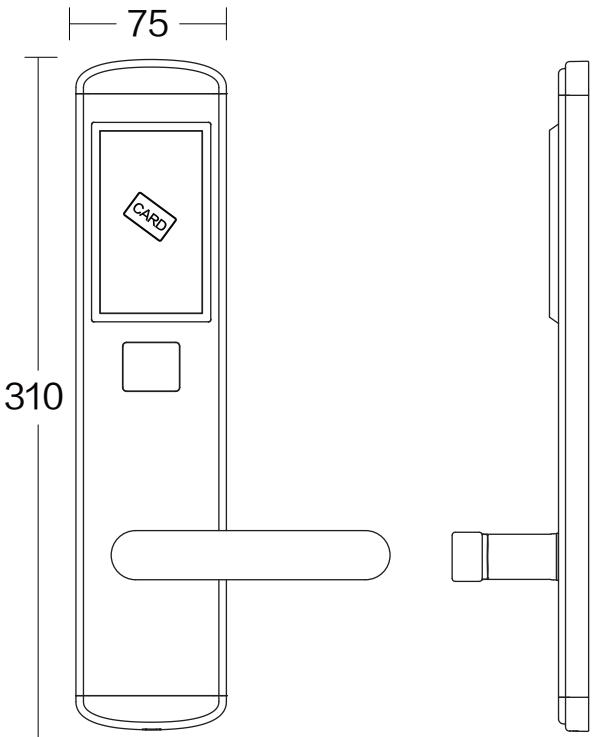
B Upgraded Black

A2RF--Styled hotel lock

Redefining door lock with science and technology, enjoying the design of life industrial motherboard and fully automatic SMI process.



■ SIZE (MM)



Emergency interface

Model	A2RF
Material	201 stainless steel + inner steel plate
Colour	Silver

A2RF Series



A2RF-Black

A2RF-Silver

A2RF-Red Bronze

A2RF-Gold

PARAMETER

Model	A2RF	Method	Non-contact induction type
Size	310*75MM	Colour	Silver. Gold.Black.Red Bronze
Unlock	Sensor cards. keys	Number	255 sheets
Time	<1S	Distance	<3CM
Frequency	125KHZ (T5557)	Frequency	13.56MHZ (M1)
Battery quantity	Four LR6 alkaline batteries	Voltage	1.5V
Low Voltage Alarm	< 4.8V	Induction distance	0-5CM
Quiescent current	<20 μ A	Dynamic current	<120mA
Temperature	-10°C-60°C(-20°C-70°C)	Thickness	38-55MM
Type	Temic E5557/M1FARE-1 card//apartment ID board (Customized according to customer requirements)		

Square series



C Gold



C Silver



C Section Red Bronze



C Black



D Gold



D Silver



D Section Red Bronze



D Black



E Gold



E Silver



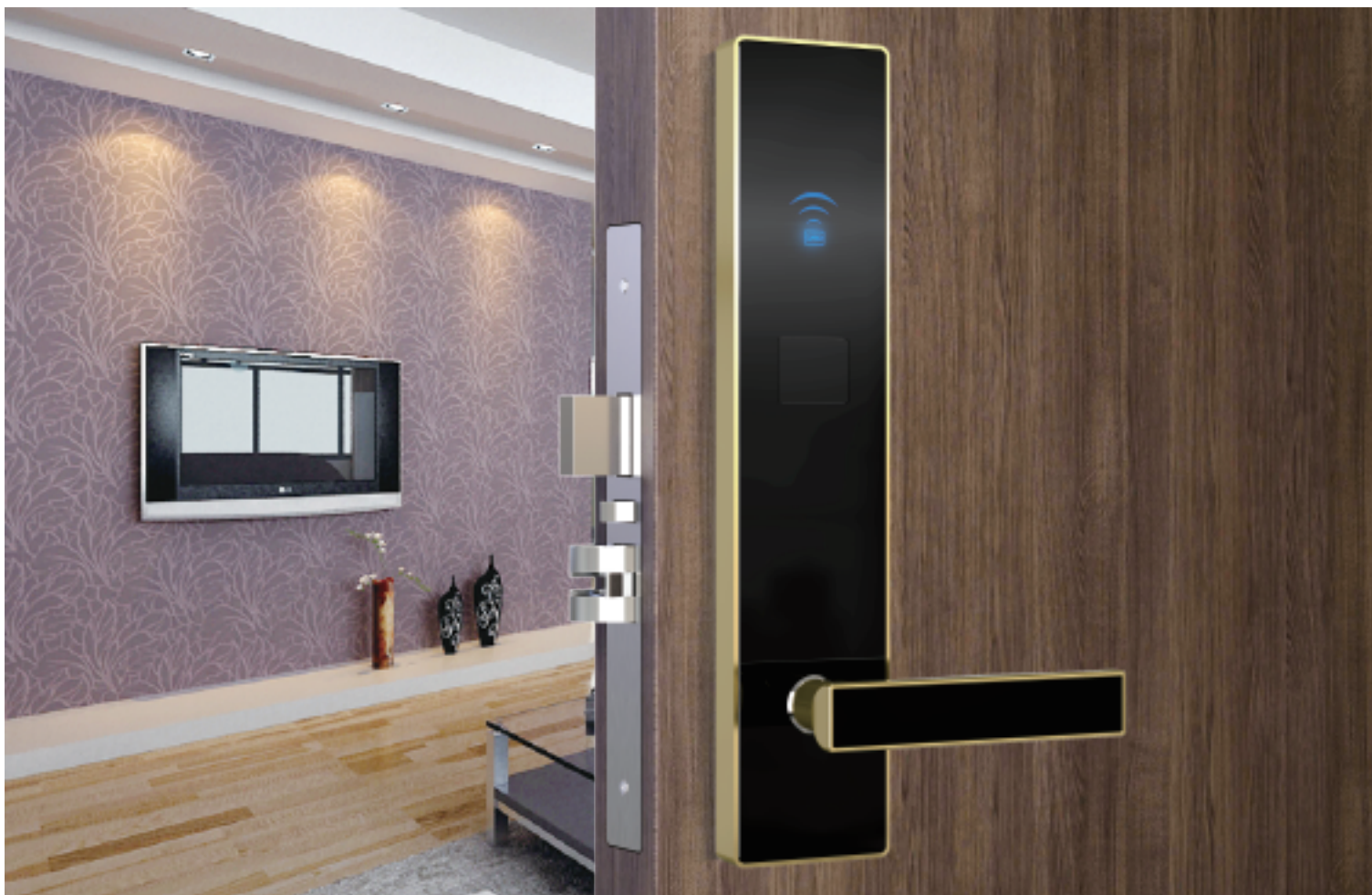
E Section Red Bronze



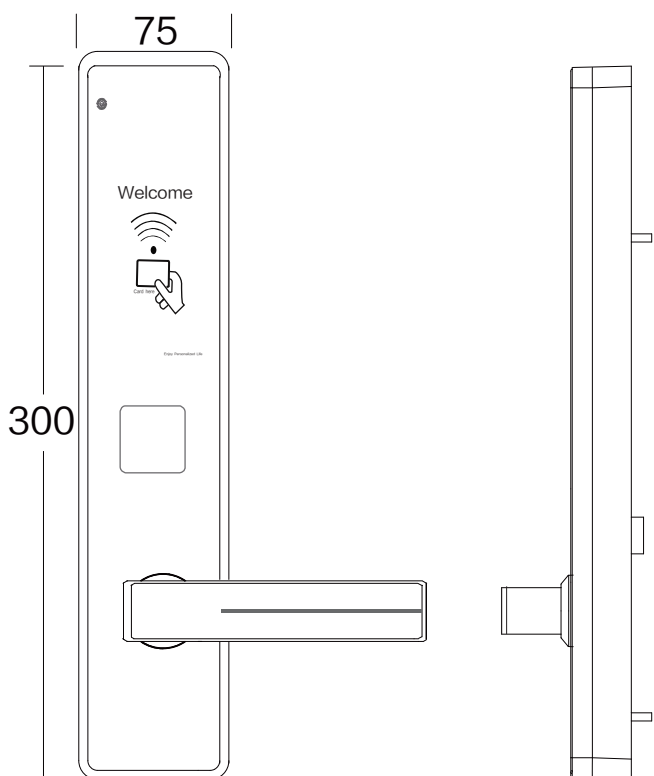
E Black

508RF--Luxury fashion

Originated from the minimalist design concept, it perfectly combines the classic black mirror with the stainless steel frame to highlight the fashionable and dynamic atmosphere.--508RF.



■ SIZE (MM)



Indoor lock Outdoor lock

Model 508RF

Material SUS 304

Colour Gold

508RF series



508RF-Silver



508RF-Gold



508RF-Black

PARAMETER

Model	508RF	Method	Non-contact induction type
Size	300*75MM	Colour	Silver. Gold.Black
Unlock	Sensor cards. keys	Number	255 sheets
Time	<1S	Distance	<3CM
Frequency	125KHZ (T5557)	Frequency	13.56MHZ (M1)
Battery quantity	Four LR6 alkaline batteries	Voltage	1.5V
Low Voltage Alarm	< 4.8V	Induction distance	0-5CM
Quiescent current	<20 μ A	Dynamic current	<120mA
Temperature	-10 $^{\circ}$ C-60 $^{\circ}$ C(-20 $^{\circ}$ C-70 $^{\circ}$ C)	Thickness	38-55MM
Type	Temic E5557/M1FARE-1 card//apartment ID board (Customized according to customer requirements)		

Hotel New Lock Series



508 Thin-Gold

508 Thin-Silver

508 Thin-Black

Material SUS304

Size 300*75MM



152RF-Silver

152RF-Black

152RF-Red Bronze

152RF-Gold

Material SUS304

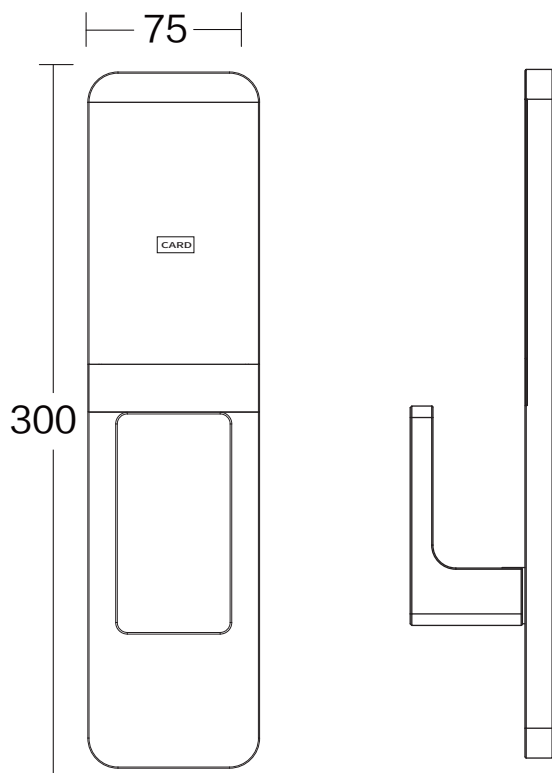
Size 306*75MM

A8RF--Light luxury fashion

Originated from the minimalist design concept, the perfect combination of square handle and lock body highlights the fashionable and dynamic atmosphere. -A8RF。



■ SIZE (MM)



indoor lock

outdoor lock

Model A8RF

Material Ti Al alloy

Colour Silver

A8RF Series



A8RF-Black



A8RF-Silver



A8RF-Gold

PARAMETER

Model	A8RF	Method	Non-contact induction type
Size	300*75MM	Colour	Silver. Gold.Black
Unlock	Sensor cards. keys	Number	255 sheets
Time	<1S	Distance	<3CM
Frequency	125KHZ (T5557)	Frequency	13.56MHZ (M1)
Battery quantity	Four LR6 alkaline batteries	Voltage	1.5V
Low Voltage Alarm	< 4.8V	Induction distance	0-5CM
Quiescent current	<20 μ A	Dynamic current	<120mA
Temperature	-10°C-60°C(-20°C-70°C)	Thickness	38-55MM
Type	Temic E5557/M1FARE-1 card//apartment ID board (Customized according to customer requirements)		

Hotel New Lock Series



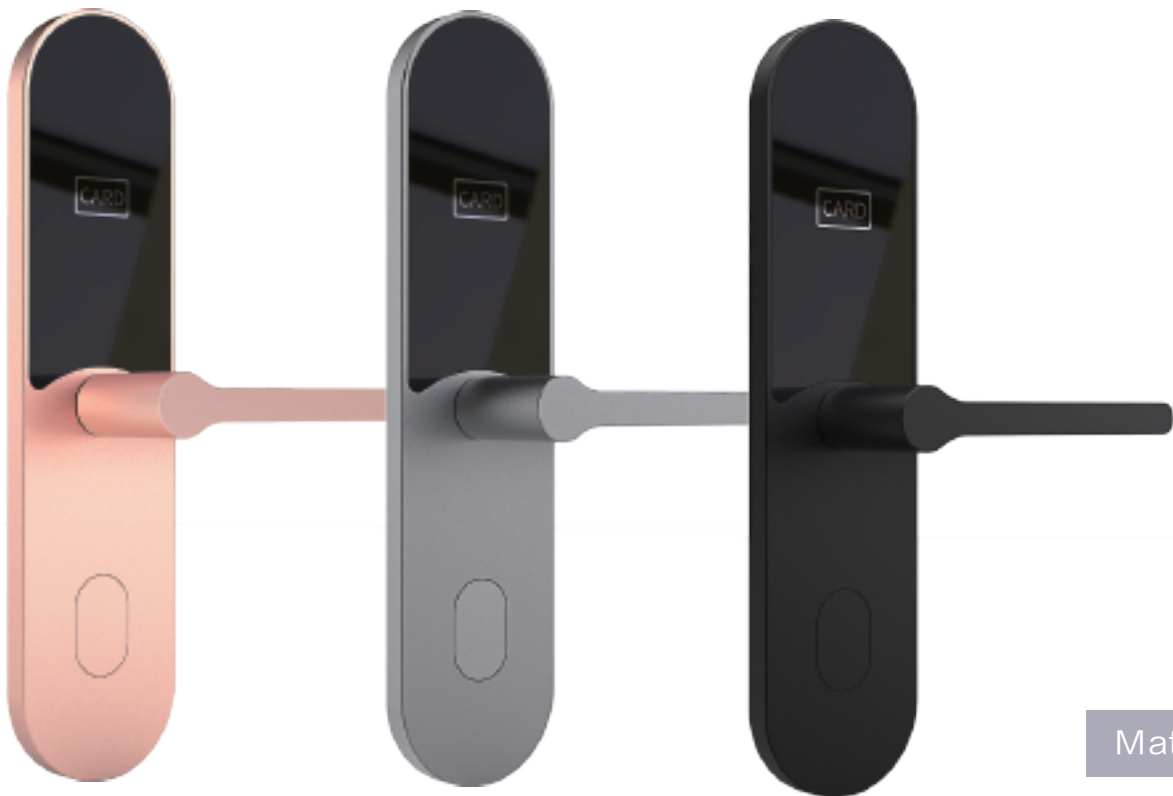
A6RF-Gold

A6RF-Silver

A6RF-Black

Material Ti Al alloy

Size 300*75MM



A7RF-Gold

A7RF-Grey

A7RF-Black

Material Ti Al alloy

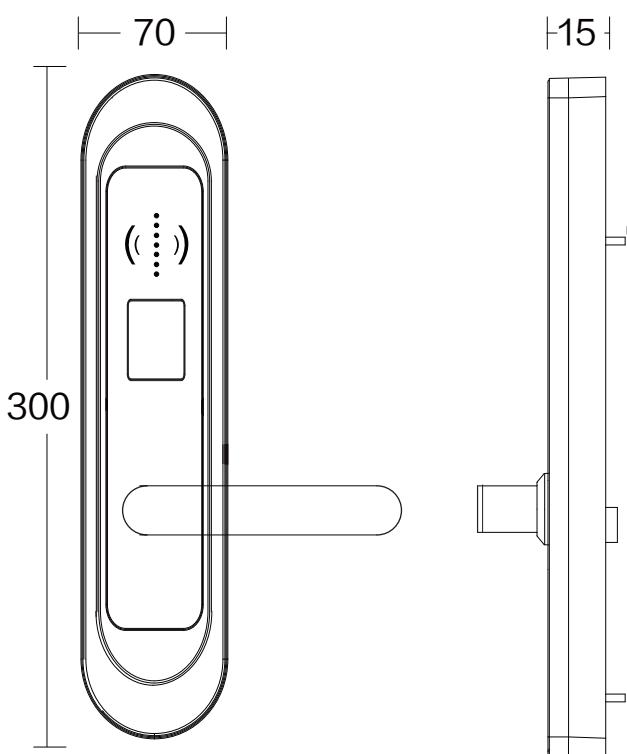
Size 290*70MM

A9RF--Curve design, fashion and luxury

Zinc alloy material is made by special grinding process. It is corrosion-resistant, abrasion resistant and has good brightness.



■ SIZE (MM)



Indoor lock Outdoor lock

Model A9RF

Material Kirsite

Colour Silver

A9RF series



A9RF-Black

A9RF-Silver

A9RF-Rose Red

A9RF-Gold

PARAMETER

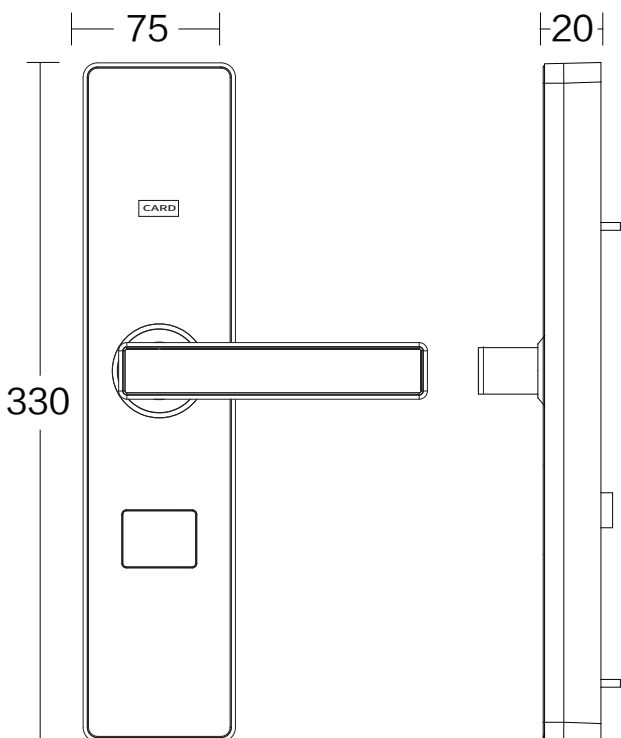
Model	A9RF	Method	Non-contact induction type
Size	300*70MM	Colour	Silver. Rose red.Black.gold
Unlock	Sensor cards. keys	Number	255 sheets
Time	<1S	Distance	<3CM
Frequency	125KHZ (T5557)	Frequency	13.56MHZ (M1)
Battery quantity	Four LR6 alkaline batteries	Voltage	1.5V
Low Voltage Alarm	< 4.8V	Induction distance	0-5CM
Quiescent current	<20 μ A	Dynamic current	<120mA
Temperature	-10 $^{\circ}$ C-60 $^{\circ}$ C(-20 $^{\circ}$ C-70 $^{\circ}$ C)	Thickness	38-55MM
Type	Temic E5557/M1FARE-1 card//apartment ID board (Customized according to customer requirements)		

D2RF--Luxury fashion

304 stainless steel integrated design, industrial grade main board design, electroplating + wire drawing process, quality comes from focus, Real material, indestructible.



SIZE (MM)



Indoor lock

Outdoor lock

Model D2RF

Material SUS 304

Colour Silver

D2RF series



D2RF-Black

D2RF-Silver

D2RF-Red bronze

PARAMETER

Model	D2RF	Method	Non-contact induction type
Size	330*75MM	Colour	Silver. Red bronze.Black
Unlock	Sensor cards. keys	Number	255 sheets
Time	<1S	Distance	<3CM
Frequency	125KHZ (T5557)	Frequency	13.56MHZ (M1)
Battery quantity	Four LR6 alkaline batteries	Voltage	1.5V
Low Voltage Alarm	< 4.8V	Induction distance	0-5CM
Quiescent current	<20 μ A	Dynamic current	<120mA
Temperature	-10°C-60°C(-20°C-70°C)	Thickness	38-55MM
Type	Temic E5557/M1FARE-1 card//apartment ID board (Customized according to customer requirements)		

Hotel New Lock Series



D3RF-Black

D3RF-Silver

D3RF-Red Bronze

Material	SUS304
Size	340*70MM



605RF-Gold

605RF-Silver

605RF-Red bronze

605RF-Qing gu

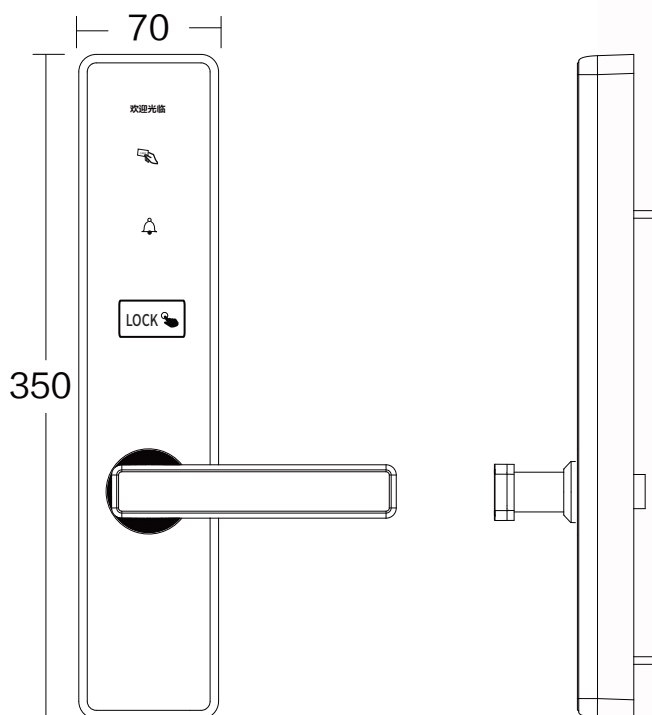
Material	Kirsite
Size	280*72MM
Lock body	2#CS

D9RF--A flagship fashion star

Simple, firm and durable appearance design style, stainless steel panel with alloy steel lining composite structure. Industrial grade motherboard design, With the integrated design of zinc alloy, fashion can return to simplicity. The lines are soft, radian and easy to handle.



SIZE (MM)



Emergency interface



Bring your own doorbell

Model D9RF

Material Kirsite

Colour Grey

D9RFseries



D9RF-Black



D9RF-Grey

PARAMETER

Model	D9RF	Method	Non-contact induction type
Size	350*70MM	Colour	Black. Grey
Unlock	Sensor cards. keys	Number	255 sheets
Time	<1S	Distance	<3CM
Frequency	125KHZ (T5557)	Frequency	13.56MHZ (M1)
Battery quantity	Four LR6 alkaline batteries	Voltage	1.5V
Low Voltage Alarm	< 4.8V	Induction distance	0-5CM
Quiescent current	<20 μ A	Dynamic current	<120mA
Temperature	-10 $^{\circ}$ C-60 $^{\circ}$ C(-20 $^{\circ}$ C-70 $^{\circ}$ C)	Thickness	38-55MM
Type	Temic E5557/M1FARE-1 card//apartment ID board (Customized according to customer requirements)		

Hotel Card Lock Series



200RF-Gold



200RF-Silver

Material Kirsite

Size 288*73MM



A5RF-Silver



A5RF-Black



A5RF-Gold

Material SUS304

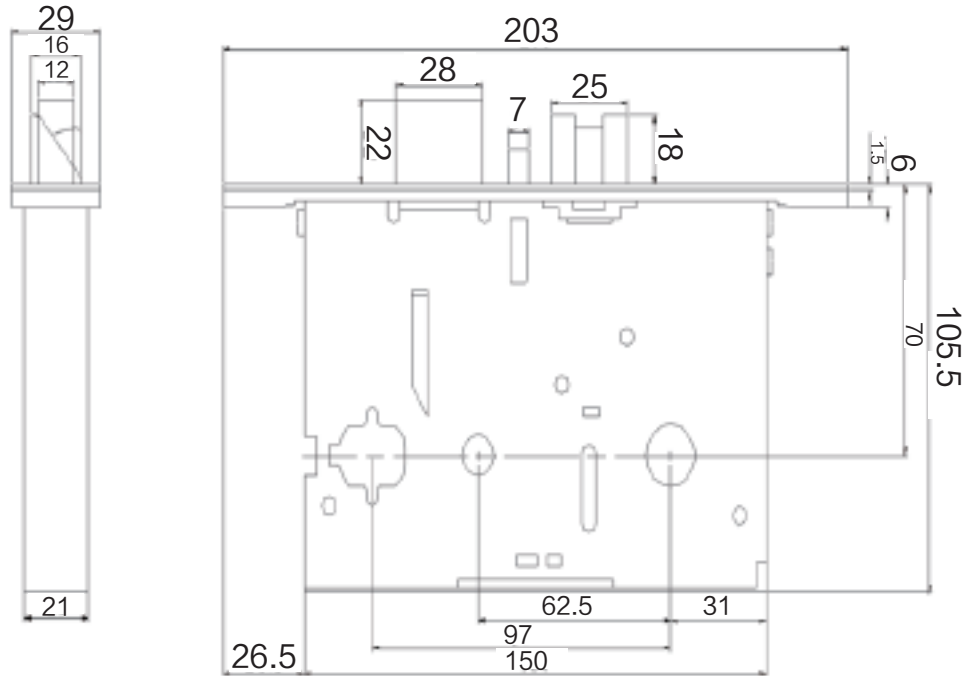
Size 280*73MM

Hotel Lock System Series



1#DS

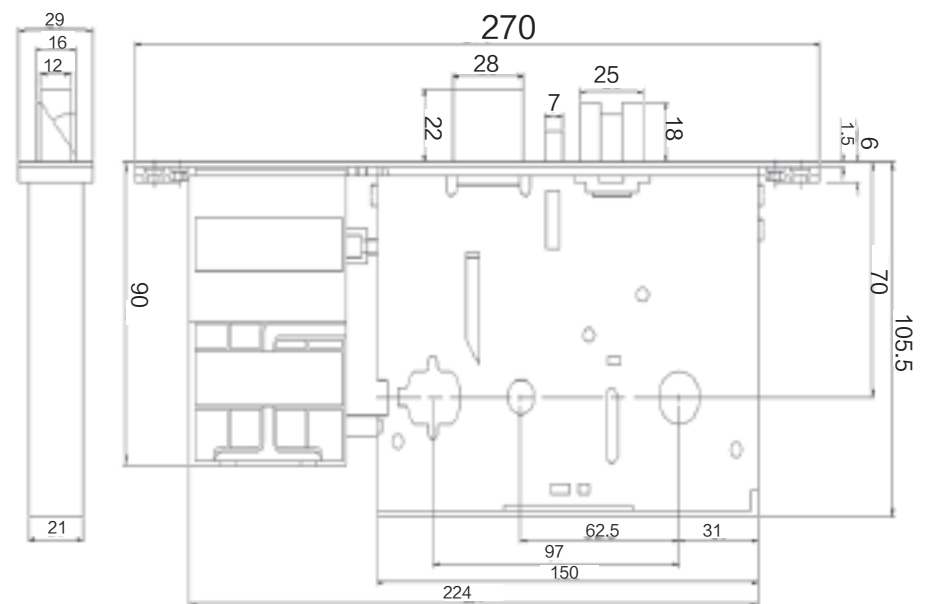
SIZE (MM)



SIZE (MM)

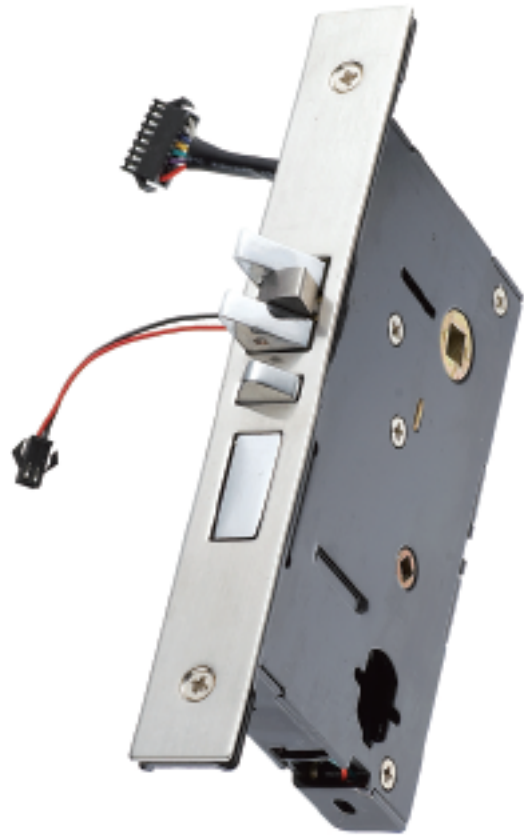


1#CS

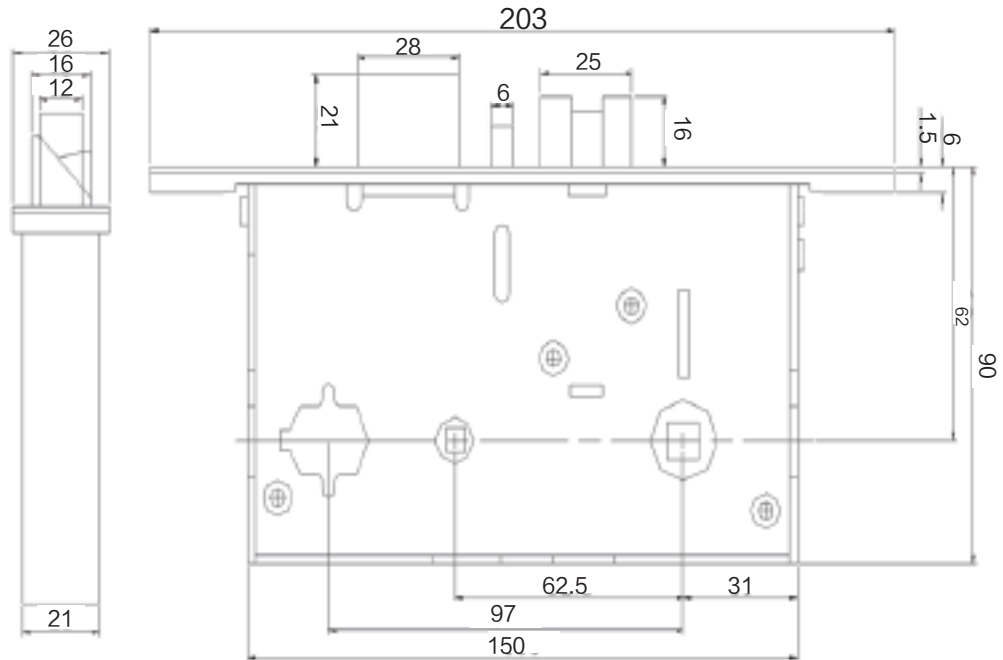


Hotel Lock System Series

SIZE (MM)



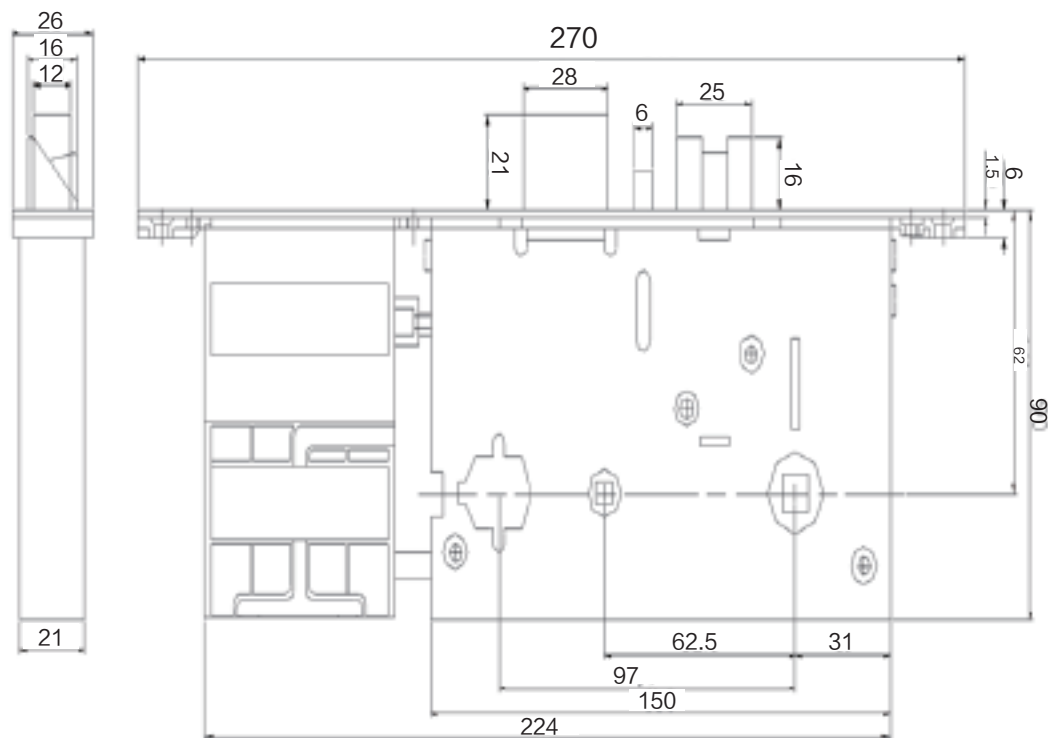
2#DS



SIZE (MM)



2#CS

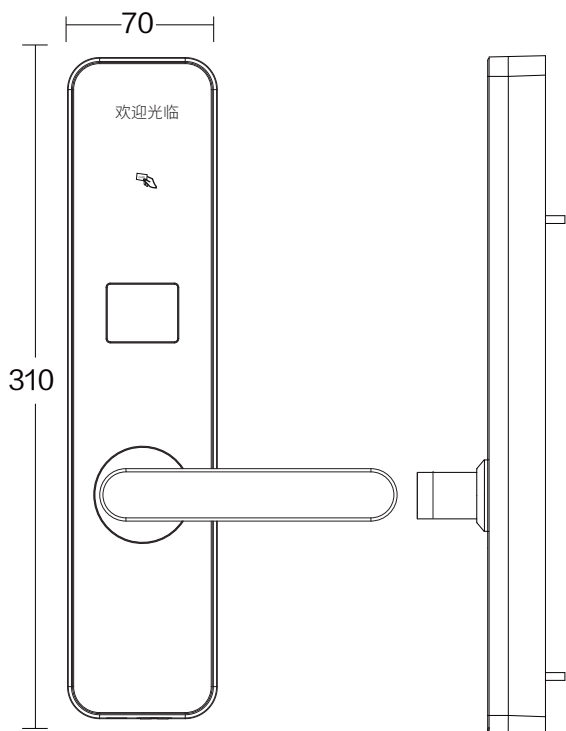


A3RF--Modern simple anti-theft door

Smart swipe card lock for anti-theft door. Simple and fashionable style.



SIZE (MM)



indoor lock

outdoor lock

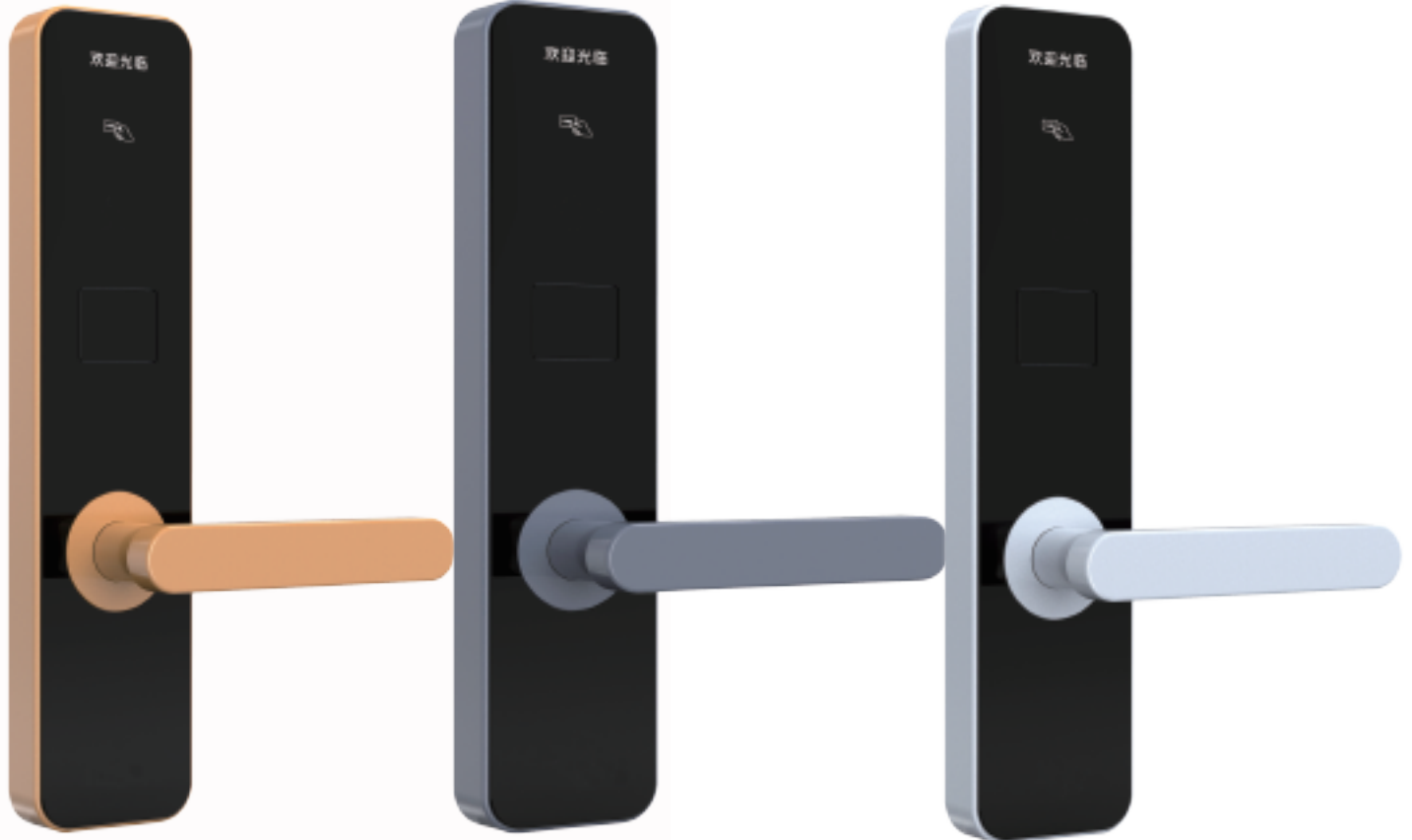
Model A3RF

Material Kirsite

Colour Grey

- Intelligent lock for anti-theft door

Anti-theft door hotel lock series



A3RF-Gold

A3RF-Grey

A3RF-White

PARAMETER

Model	A3RF	Method	Non-contact induction type
Size	310*70MM	Colour	Gold.White. Grey
Unlock	Sensor cards. keys	Number	255 sheets
Time	<1S	Distance	<3CM
Frequency	125KHZ (T5557)	Frequency	13.56MHZ (M1)
Battery quantity	Four LR6 alkaline batteries	Voltage	1.5V
Low Voltage Alarm	< 4.8V	Induction distance	0-5CM
Quiescent current	<20 μ A	Dynamic current	<120mA
Temperature	-10°C-60°C(-20°C-70°C)	Thickness	38-55MM
Type	Temic E5557/M1FARE-1 card//apartment ID board (Customized according to customer requirements)		

- Intelligent lock for anti-theft door

Anti-theft door hotel lock series



D2RF-Black

D2RF-Silver

D2RF-Red bronze

Material SUS304

Size 330*75MM



D3RF-Black

D3RF-Silver

D3RF-Red Bronze

Material SUS304

Size 340*70MM

- Intelligent lock for anti-theft door

Anti-theft door hotel lock series



1058RF-Silver



1058RF-Red bronze



1058RF-Black

Material SUS304

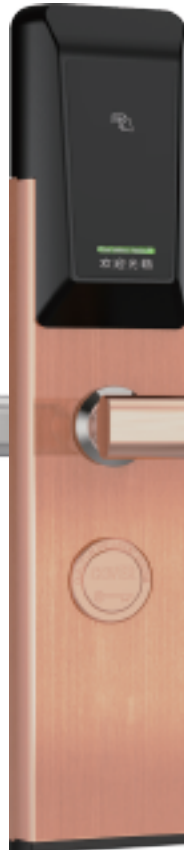
Size 360*75MM



1068RF-Gold



1068RF-Silver



1068RF-Red bronze



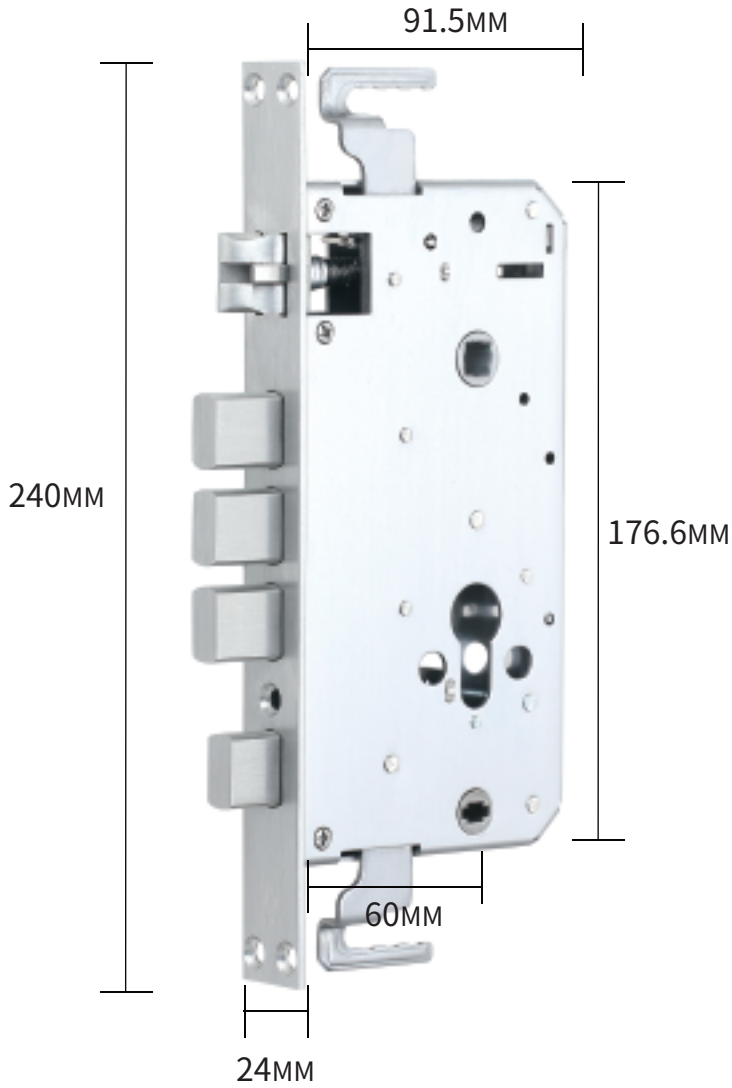
1068RF-Black

Material Outer 304 Inner layer steel plate

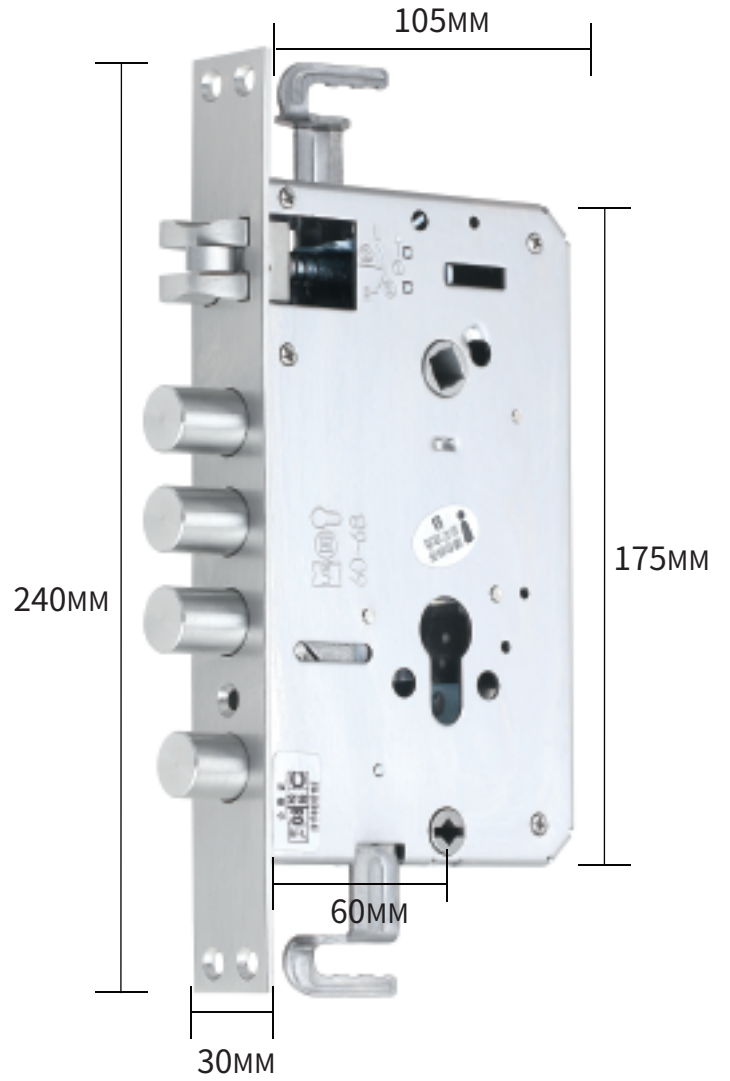
Size 350*80MM

- Intelligent lock for anti-theft door

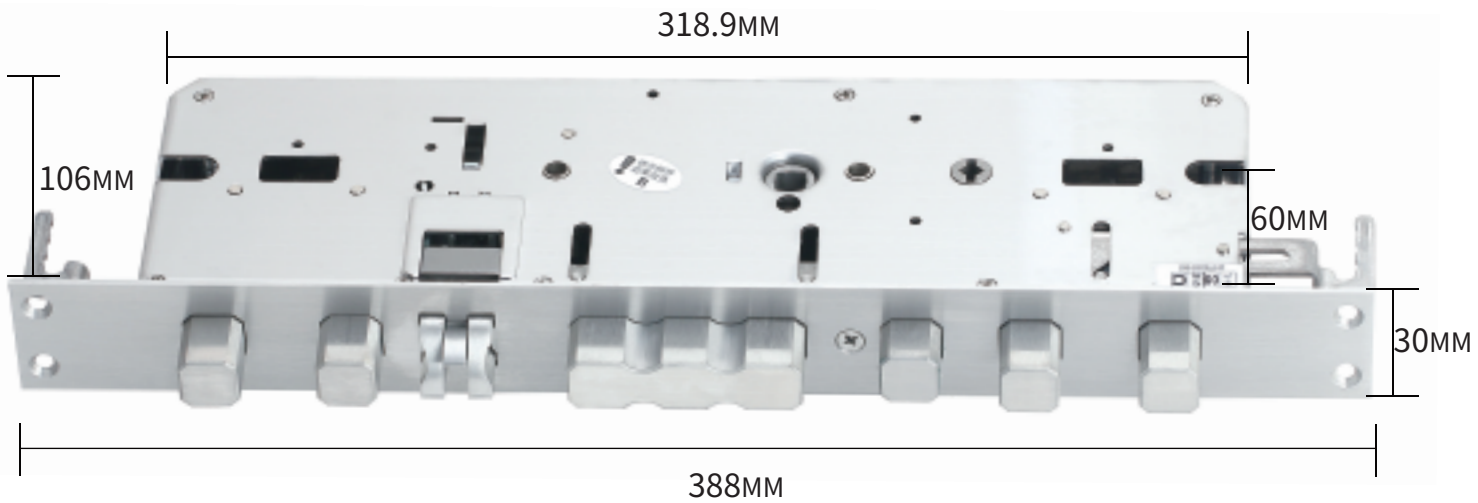
Anti-theft door lock system



Standard lock body



Cylindrical lock body



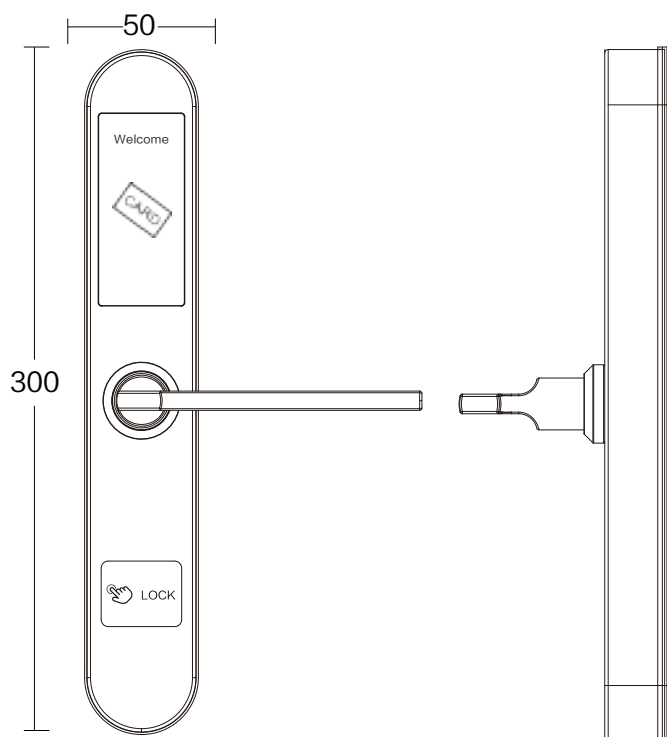
Overlock lock

1018RF--Small and exquisite classic style

Intelligent card swipe lock for Broken Bridge Aluminum Hotel.



■ SIZE (MM)



Model	1018RF
Material	Stainless steel
Colour	Silver

Intelligent lock for broken bridge aluminium door

1018RF series



PARAMETER

Model	1018RF	Method	Non-contact induction type
Size	300*50MM	Colour	Silver, Gold, Black, Red bronze
Unlock	Sensor cards. keys	Lock core	All copper lock core
Time	<1S	Distance	<3CM
Frequency	125KHZ (T5557)	Frequency	13.56MHZ (M1)
Battery quantity	Four LR6 alkaline batteries	Voltage	1.5V
Low Voltage Alarm	< 4.8V	Induction distance	0-5CM
Quiescent current	<20 μ A	Dynamic current	<120mA
Temperature	-10 $^{\circ}$ C-60 $^{\circ}$ C(-20 $^{\circ}$ C-70 $^{\circ}$ C)	Thickness	38-55MM
Type	Temic E5557/M1FARE-1 card//apartment ID board (Customized according to customer requirements)		

- Intelligent lock for broken bridge aluminium door

Hotel New Lock Series



1019RF-Silver



1019RF-Black

Material SUS304

Size 310*40MM



1018RF-Gold



1018RF-Silver



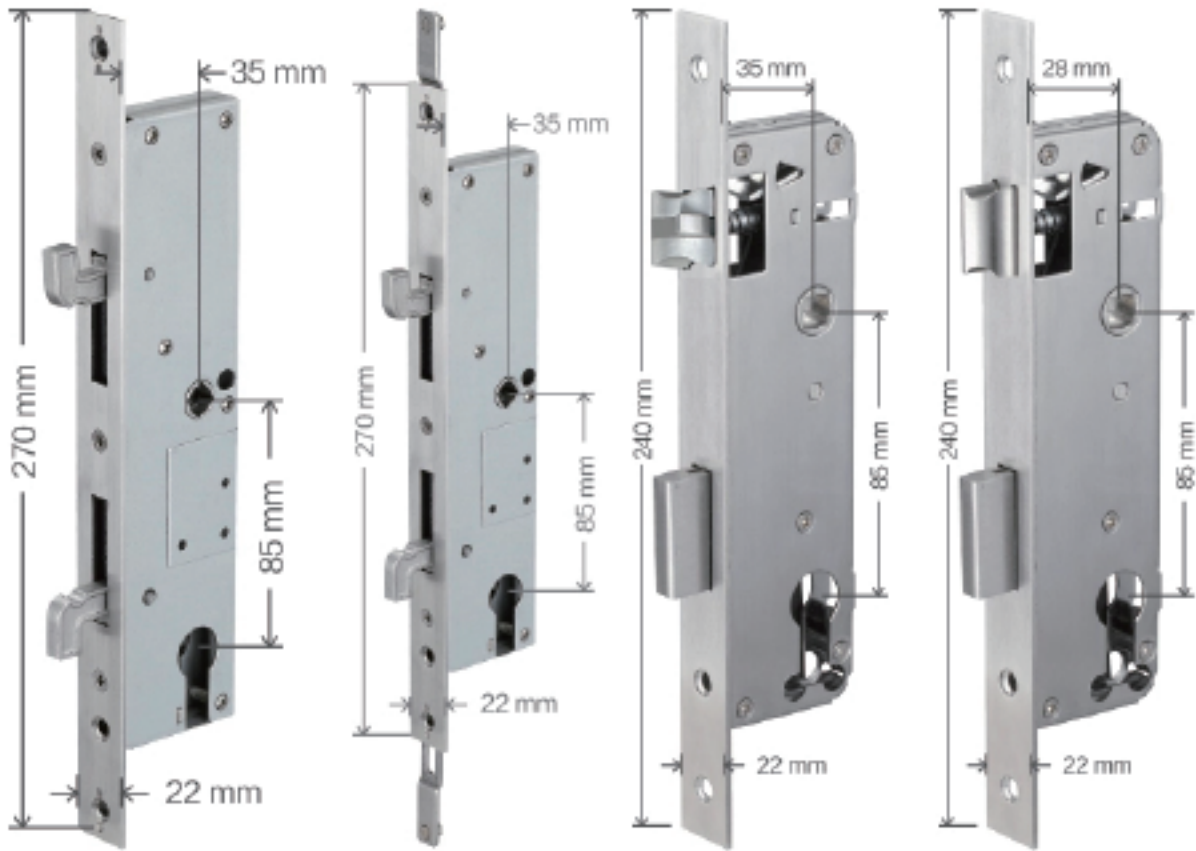
1018RF-Red bronze



1018RF-Black

- Intelligent lock for broken bridge aluminium door

Broken Bridge Aluminum Door Lock System Series

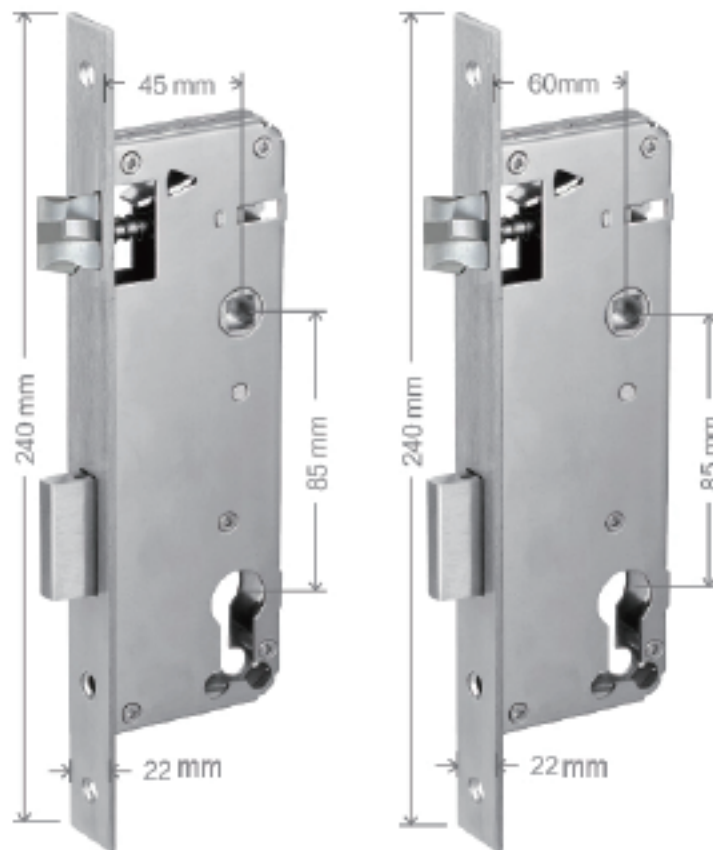


6#(Double hook35*85+Without lock)

6#(Double hook35*85+With lock)

4#(35*85)

4#(28*85)



4#(45*85)

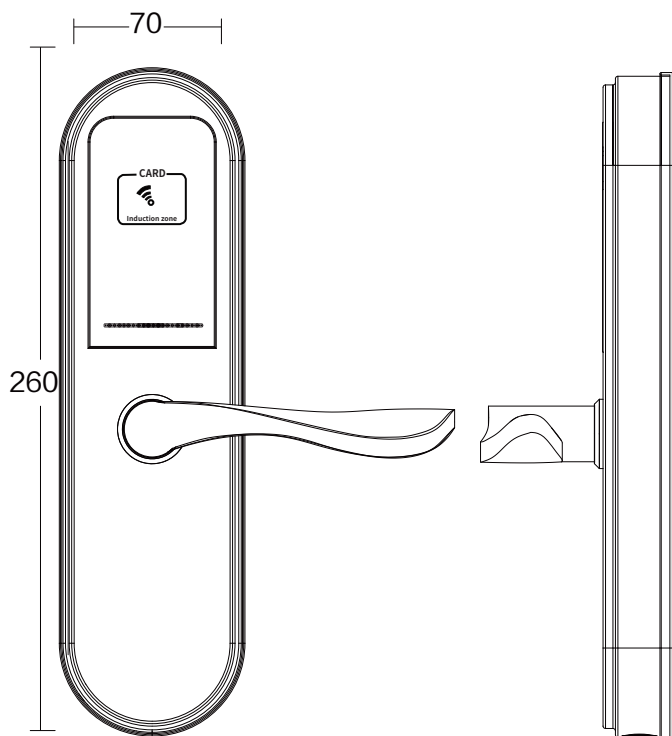
4#(60*85)

2018RF--Wooden door brush lock

Ball lock handle lock can be replaced directly.



■ SIZE (MM)



Emergency interface

Model 2018RF

Material Electroplating + Wire Drawing

Colour Silver

- Intelligent lock for wooden door

Hotel New Lock Series



2018RF-Silver

2018RF-Red bronze

2018RF-Black

PARAMETER

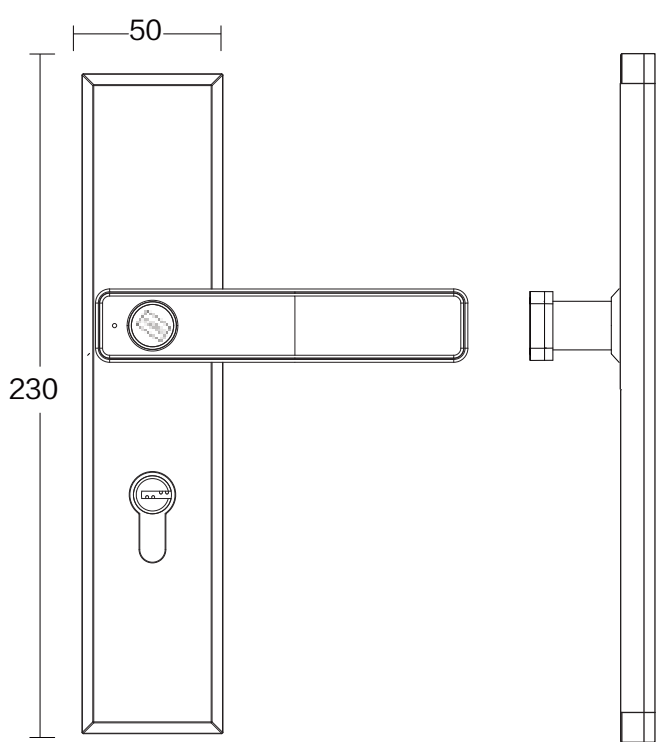
Model	2018RF	Method	Non-contact induction type
Size	260*70MM	Colour	Silver, Black, Red bronze
Unlock	Sensor cards. keys	Lock core	All copper lock core
Time	<1S	Distance	<3CM
Frequency	125KHZ (T5557)	Frequency	13.56MHZ (M1)
Battery quantity	Four LR6 alkaline batteries	Voltage	1.5V
Low Voltage Alarm	< 4.8V	Induction distance	0-5CM
Quiescent current	<20 μ A	Dynamic current	<120mA
Temperature	-10°C-60°C(-20°C-70°C)	Thickness	38-55MM
Type	Temic E5557/M1FARE-1 card//apartment ID board (Customized according to customer requirements)		

2026RF--Simple modern wooden door

Simple, firm and durable design style, zinc alloy material. Industrial main board design, with American standard five tongue lock body anti disturbance function.



SIZE (MM)



Model	2026RF
Material	Kirsite
Colour	Silver

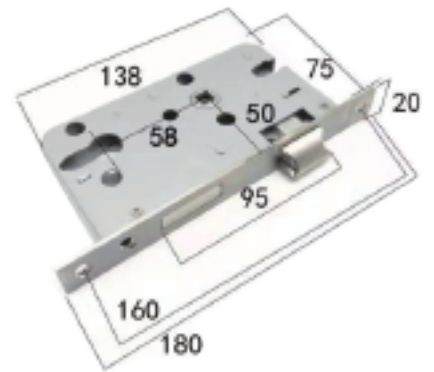
Hotel New Lock Series



2025RF-Qing Gu



2026RF-Silver



PARAMETER

Model	2025RF 2026RF	Method	Non-contact induction type
Size	230*50MM	Colour	Silver. Qing Gu
Unlock	Sensor cards. keys	Number	255 sheets
Time	<1S	Distance	<3CM
Frequency	125KHZ (T5557)	Frequency	13.56MHZ (M1)
Battery quantity	Four LR6 alkaline batteries	Voltage	1.5V
Low Voltage Alarm	< 4.8V	Induction distance	0-5CM
Quiescent current	<20 μ A	Dynamic current	<120mA
Temperature	-10℃-60℃(-20℃-70℃)	Thickness	38-55MM
Type	Temic E5557/M1FARE-1 card//apartment ID board (Customized according to customer requirements)		

Hotel New Lock Series



2023RF-Gold

2023RF-Silver

2023RF-Black

LOCK BODY A1 A2

Material Kirsite

Size R70MM



2019RF-Black

2019RF-Silver

2019RF-Gold

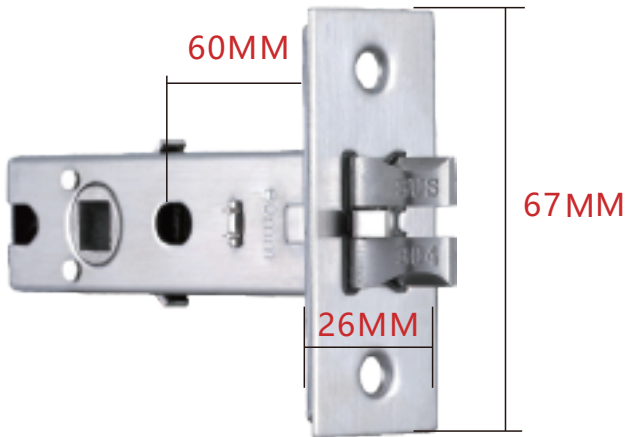
LOCK BODY 60*85

Material Kirsite

Size 140*60MM

- Intelligent lock for wooden door

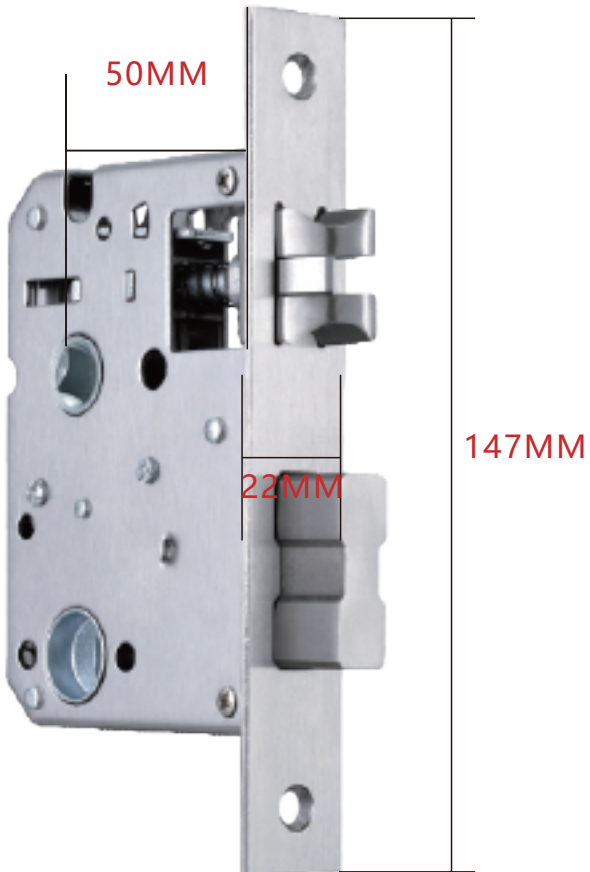
Wooden Door Lock System Series



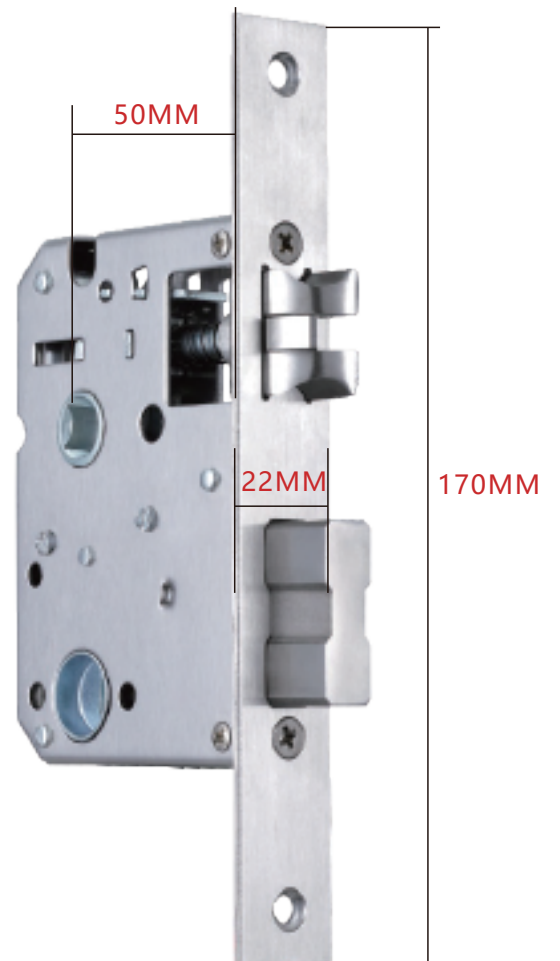
A1 lock body (center distance 60MM)



A2 lock body (center distance 70MM)



B1 lock body (center distance 50MM)



B2 lock body (center distance 50MM)

Double System Code Unlock Series



LOCK BODY 240*24

Material steel plate
Outer SUS304

Size 350*80MM

1068CM-Black 1068CM-Silver 1068CM-Red Bronze 1068CM-Gold



LOCK BODY 240*24

Material SUS 304

Size 360*75MM

1058CM-Black

1058CM-Silver

1058CM-Red Bronze

Double System Code Unlock Series



D2CM-Black

D2CM-Silver

D2CM-Red Bronze

LOCK BODY 240*24

Material SUS304

Size 330*75MM



D3CM-Black

D3CM-Silver

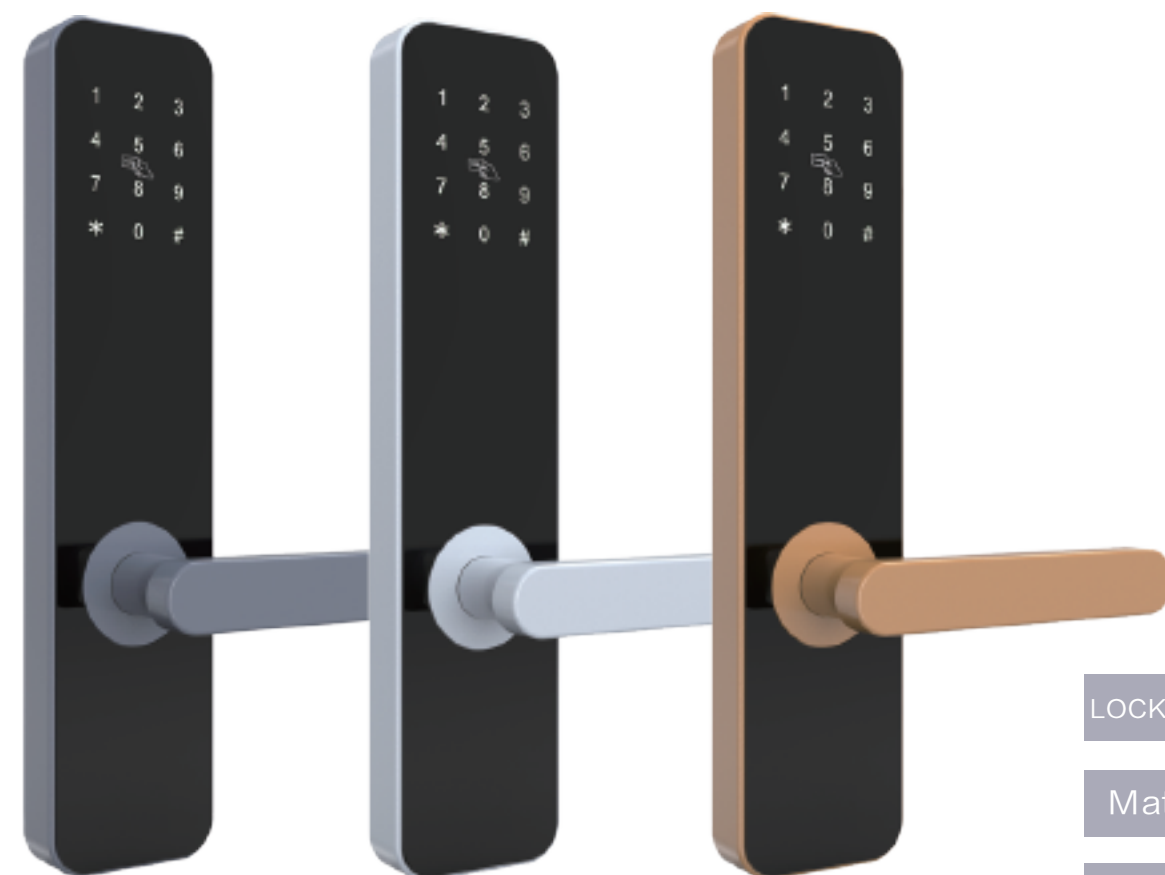
D3CM-Red Bronze

LOCK BODY 240*24

Material SUS304

Size 340*70MM

Double System Code Unlock Series



A3CM-Grey

A3CM-White

A3CM-Gold

LOCK BODY 240*24

Material Kirsite

Size 310*70MM



A5CM-Silver

A5CM-Black

A5CM-Gold

LOCK BODY 2# short

Material SUS304

Size 280*73MM

Double System Code Unlock Series



LOCK BODY 2# short

Material steel plate
Outer SUS304

Size 308*77MM

5188CM-Black 5188CM-Silver 5188CM-Gold 5188CM-Red Brone



LOCK BODY 2# short

Material steel plate
Outer SUS304

Size 300*75MM

508CM-Silver

508CM-Black

508CM-Gold

Double System Code Unlock Series



LOCK BODY 2# short

Material steel plate
Outer SUS304

Size 306*75MM

152CM-Black 152CM-Silver 152CM-Red Bronze 152CM-Gold



LOCK BODY 2# short

Material steel plate
Outer SUS304

Size 310*75MM

A2CM-Black A2CM-Silver A2CM-Red Bronze A2CM-Gold

Double System Code Unlock Series



A6CM-Black

A6CM-Silver

A6CM-Gold

LOCK BODY 2# short

Material Ti Al alloy

Size 300*75MM



A7CM-Black

A7CM-Grey

A7CM-Gold

LOCK BODY 2# short

Material Ti Al alloy

Size 290*70MM

Double System Code Unlock Series



A8CM-Black



A8CM-Silver



A8CM-Gold

LOCK BODY 2# short

Material Ti Al alloy

Size 300*75MM

Smart Hotel Touch Switch

Technical parameters

working temperature: 0C~40C

Model: Special Switch for Meet Shop
Time Room Number Switch

Relative temperature: 10%~39%
(non-condensing)

Colour: White Gold

Rated operating voltage: 180~240VAC 95~140VAC

Outline size: 86*86*42MM

working frequency: 50—60Hz

Applicable country: Bottom box size

Free power: Peak 6600w

Power waste: <0.8W

Function introduction

- ▼ The hotel special energy-saving switch is a power supply control switch designed for energy saving and safety of the hotel. It has the characteristics of energy saving, safety and controllability.
- ▼ When the customer checks in, insert the opening card into the energy-saving switch, the total power supply can turn on and withdraw the door card, and the energy-saving switch will automatically cut off after 5-10 seconds delay to ensure convenience and energy saving.
- ▼ Identify multiple card types:

Identification card switch: IC card, RF card or MI card in our hotel can get electricity, other cards, paper, etc. can not get electricity.

Identify room number card switch: Only the door card or master control card, emergency card, computer card of this building, layer control card of this floor can be accessed, other business cards, paper cards, can not open the door. All cards can't get electricity. This switch can control the time for customers to use electricity. It has the same property as the door lock.

AT101 White (hotel only)

AT201 White (Time Room Number)

AT101 Gold (hotel only)

AT201 Gold (Time Room Number)



Service

Word of mouth based on quality and credibility and service



In order to establish the swift but excellent service system, our company takes the headmost lead in detrusing the customers service project. That is: the service is faster before the products,when the products is purchased, the service is for the lifetime.We even set up the customerservice center which is composed by the marketing department. the technique department, the engineering department and the bulk troops made up of the cadremen from all over of China. No matter when is during the time of the before-sales the in-sales or the after-sales, we will offer you the most friendly services so as to solve all the problems you encounter in using. All our products will be free maintained in Year, or we will just charge the least cost price to carry out the life long maintenances if over 1 year. In order to settle down all the usage problems in the shortest but the best time, the center also set up the service hotlines at over 20 filates and agencies all over china. For the sake of carrying out the complete service. the center also enact the product special consultation lines, the special technique service line, as well as the special product maintenance line. Telephone:400—0818—775



Factory case

Classic case



Kunming Guandu Hotel



People's Bank of China

Brand Hotel Case



Jiujiang Jincheng Hotel



Guangdong Xinsheng Business Hotel



Henan Dynasty International Hotel



Chongqing Longdu International Hotel

Some hotel engineering cases

Tianjin City

Yuyang Hotel, Tianjin
Xinda Hotel, Tianjin
Tianjin Zhongtian Huaxia Hotel
School of Agricultural Bank
Tianjin Tenglong Hotel
Fudelong Jiuhe Hotel, Tianjin
Tianjin Huaixiang Hotel
Education and Training Base
Tianjin Finance Bureau
Yulong Tiange Hotel, Tianjin
Tianjin Zhongfang Hotel
Tianjin Guida Hotel
Tianjin Jinao Hotel
Tianjin Chaojie Hotel
Tianjin Zhongfang Hotel
Yuetan Hotel, Tianjin
Tianjin Shengyun Hotel
Tianfu Hotel, Tianjin
Junsheng Hotel, Tianjin
Tianjin Senda Hotel
Xiangyang Hotel, Tianjin
Tianyue Hotel Tianjin
Jinyongli Hotel, Tianjin
Tianjin Jiayi Hotel
Tianjin Jiajie Express Hotel

Hubei province

Water Club of Haman Palace
Wuhan Huaxin Hotel
Hunan Green Hotel
Fuyuan Hotel, Hubei
Lichuan Tiancheng Business
Hubei Huazhong University
State Guest Building in Ezhou
Wuhan Guoguang Hotel
Wuhan Qixing Business Hotel
Xiangfan Oriental Express Hotel
Huangshi Kaifeng Hotel
Shuanggang Headquarters
Hebei Province
Hebei Gangyuan Hotel
Beidaihe Training Center
Xinda Hotel, Hebei Province
Tianfu Hotel, Shuchuan, Hebei
Baoding Euron Club Hall
Mancheng Peace Club
Aote Business Hotel
Cangzhou Wendu Express Hotel
Cangzhou Yihe Hotel
Huadu Business Hotel
Century Hongtai Hotel
Dingxin Business Hotel

Hunan Province

HeFeng Business Hotel
Huaxi Business Hotel
Zhuzhou Dalong Hotel
Binyue Business Hotel
Liuyang Beixing Hotel
Yangfeng International Hotel
Zhicheng Pearl Hotel Huaihua
Xiangxi Yaju Hotel
Qinyuan Hotel, Changsha
Zhuzhou Siyuan Hotel
Yongzhou Jinyuan Hotel
Fujialong Hotel, Changsha
There is a hotel in Liuyang
Another hotel in Jishou
Modern Family Hotels
Hongjing Business Hotel
Hunan Hongxing Hotel
Wuwei Hotel, Changsha
Changsha Nanhang Hotel
Jiaruida Fashion Hotel
Riye Gucheng Hotel
1 + Home Fashion Hotel
Luxi Xinnu Hotel
Vinegar Ling Foreign Trade Hotel
Tianshui Hotel, Xupu

Sichuan Province

Dengba Inn Chain
Pengshan Happy Business Hotel
Livable Hotel Chengdu
Xiangjia Hotel, Chengdu
Chengdu Sanpu Business Hotel
Suining Sanjie Xinhua Hotel
Chengdu Jinju Hotel
Leshan Jiasheng Hotel
Meishan Armed Forces Hostel
Shangdong Hotel
Yuewang Hotel Mianyang
Pasteur Hotel
Fushun Huacui Business Hotel
Yating Hotel Dujiangyan
Golden Drum Hotel in Ganzi Prefecture
Sichuan Military Emblem Hotel
Deyang Baihequan Eco-Resort Hotel
Chengdu Lijing Business Hotel
Jiange Century Junda Hotel
Chengdu Impression Hotel
Emei Mountain Tengfei Hotel
Emeishan Fulin Hotel
Cycas Sunshine Hotel
Emeishan Fuhua Hotel
Home Holiday Hotel

The Latest Typical Engineering Model Case

Chongqing Province	Guangdong Province	Jiangxi Province	Gansu Province
Wanzhou Longdu Hotel	Shenzhen Brilliant Business Minghua Hotel	Pingxiang 168 Business Hotel	Lanting Yag Hotel, Lanzhou
Wanzhou Yihua Hotel	Xinsheng Business Hotel	Nanchang City Hotel	Sijia Apartment Hotel
Wanzhou Dajin Hotel	Xinxin Yuhua Hotel	Aichao Theme Hotel, Nanchang	Jiangfeng Hotel, Pingliang City
Zhongyuan Hotel, Wanzhou	Furan Luxury Apartment	Nanchang Century Custom Hotel	Dunhuang Tangren Hotel
Yudong Hotel, Wanzhou	Leting Hotel	Shenlong Palace Health Club Hall	Lanzhou Dongyue Hotel
Tongnan Liuxiangge Hotel	Xinwanli Hotel	Pingxiang Grand Hyatt Hotel	Lisa Holiday Chain Hotel
Berman Art Theme Hotel	Xincheng Hotel	Jincheng Hotel, Wuning County	Dafangdu Business Hotel
Haochen Hotel, Wanzhou District	Fujian Province	Henan Province	Lanzhou Jinpeng Silver Hotel
Qinyuan Hotel, Wanzhou District	Hongda Hotel, Fuzhou	Yuanyang Tea Green Inn	Jingning Huayu Hotel
Sichuan Province	Huayue Express Hotel, Baisha	Huangting Hotel, Zhengzhou	Hongtai Business Hotel
Longxiang Hotel, Mianyang City	Gulou Muen Fashion Theme Hotel	Shangqiu Dynasty International Hotel	
Mianyang Qinxiangge Business	Bailian Chengchao Hotel, Changle City	Taasha Commercial Guild Hall	Yunnan Province
Shaanxi Province	Fuqing Stack	Fulihua Hotel, Luoyang	Kunming Guandu Hotel
These hotels in Xi an City	Chaoshan Hostel	Kaize Business Hotel, Mengzhou	Jialieze Huameida Hotel
Calderon Business Hotel	Renji of Changle City	Xinyang Yulin Business Hotel	Weike Hotel in Kunming City
Taibai Mountain Resort		Xinyang Venice Chain Hotel	Mingxuan Inn, Airport District
Zhejiang Province	Shanghai City	Fengqiu Friends Hotel	Nanyan Hotel, Maile City
Zhejiang Green Ecological Park	Shanghai Baiyuan Hotel		Jinghong Xintai Hotel
Zhejiang huiyinbi group Holiday	Kaile Hotel Shanghai	Jiangsu Province	Dream Rainbow Art Hotel
Zhejiang Shennong Yuen Villa	Shanghai Sengang Hotel	Hongze Electric Power Hotel	Longkou Hotel, Heqing County
Wenzhou River Village Hotel	Shanghai Senyi Hotel	Kunshan VIP	International Youth Hostel
Zhejiang Baidu wealth Bay Hotel	Shanghai Jinqilin Hotel	Chain Hotel in Yuanlou District	Bo'ao Hotel in Lijiang Province
Tongxiang five Sea Hotel			



Printing Process Types: Smart Card Printing Instructions
 Offset printing: suitable for stereo, complex color card design
 Silk Printing: Suitable for graphic design, simple color card surface design
 Base colour: Gold, silver, other colours are also available.
 Surface: smooth surface, dumb surface, ground surface
 Design Contents: Hotel Name, Star Sign, Address, Telephone Hotel LOGO, Hotel Appearance, Hotel Image, etc. (Multiple Images) Lock operation steps.