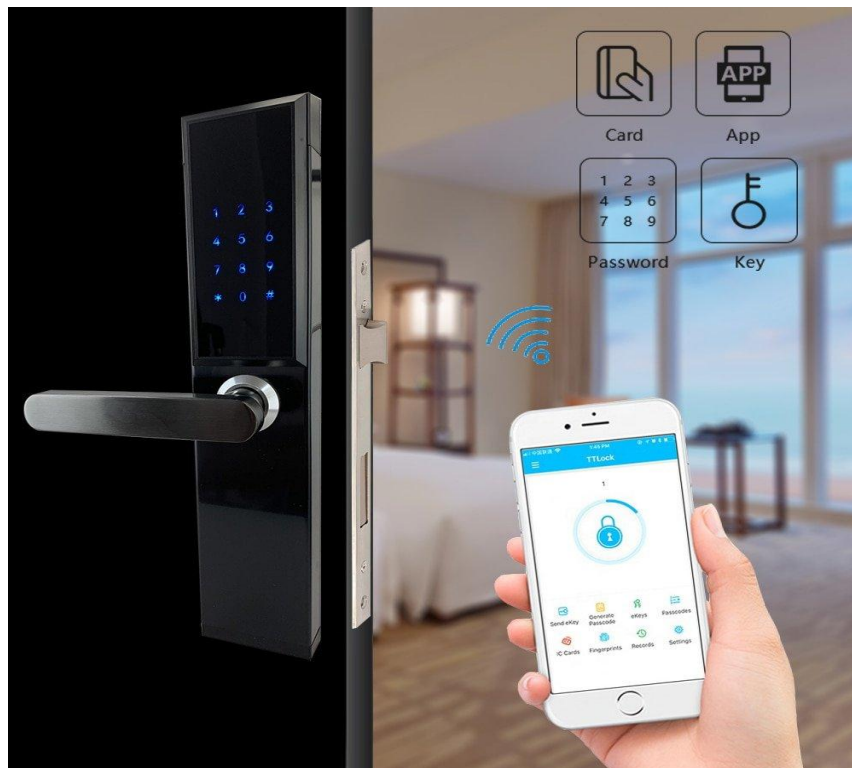


Part 5

Hotel Smart Locks





Hotel Smart Door Lock Series

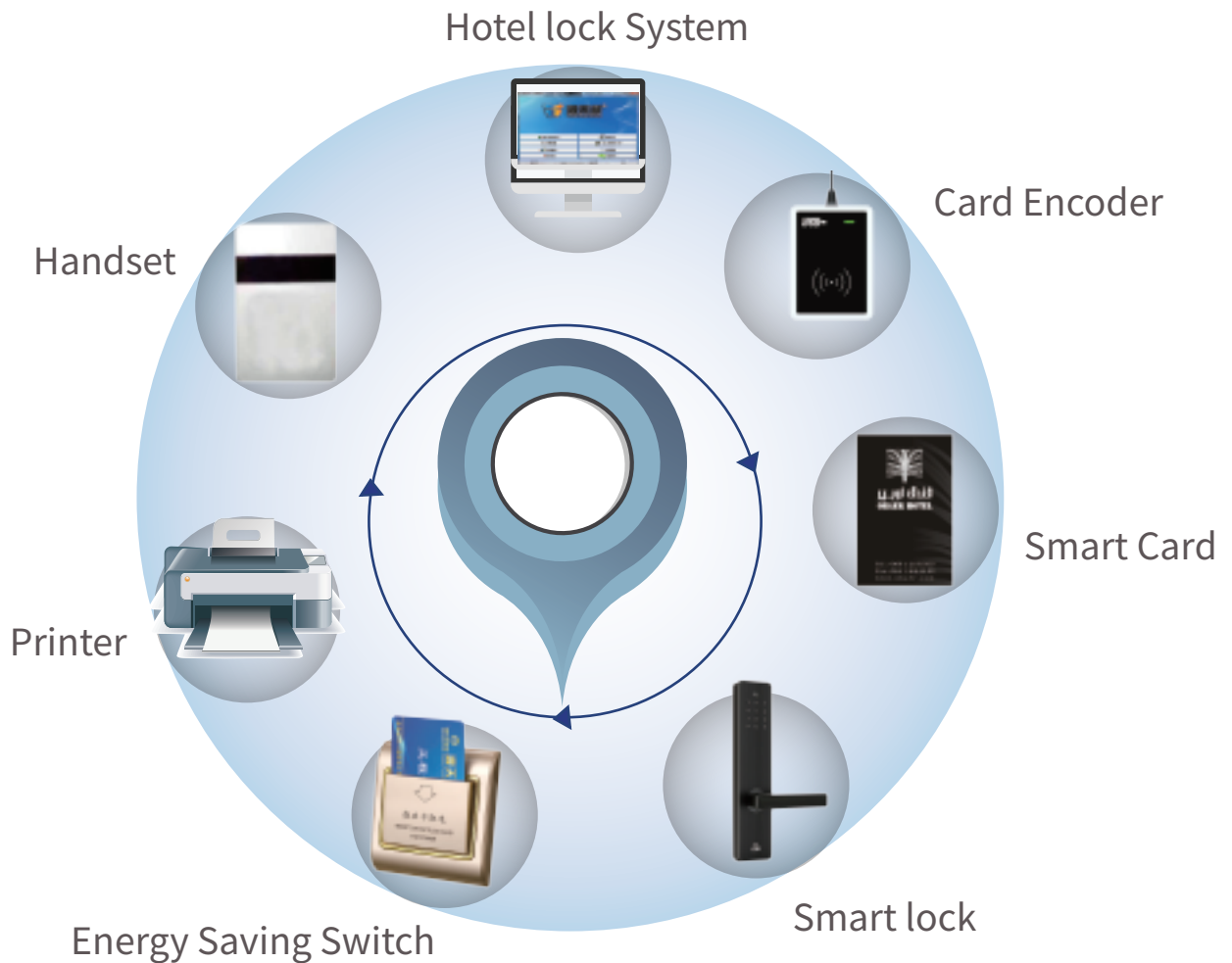


To Be The Best Enterprises
To Make The brand

» Solutions for Management system



Hotel intelligent door lock system is a set of software and hardware integrated system, which is composed of the following parts



» software system:

Operating system that can run Windows 3.1 or more.

» Management software:

The system is managed, including setting the function of door lock, restricting the authority of the cardholder, reading the record of unlocking, adjusting the clock in the lock, etc.

» Card making module:

Connect with computer USB interface, read and write the smart card.

» Smart cards are divided into:

Open card and management card.

» Open-door card is divided into five levels of management:

Room card, cleaning card, floor card, building card, general card.

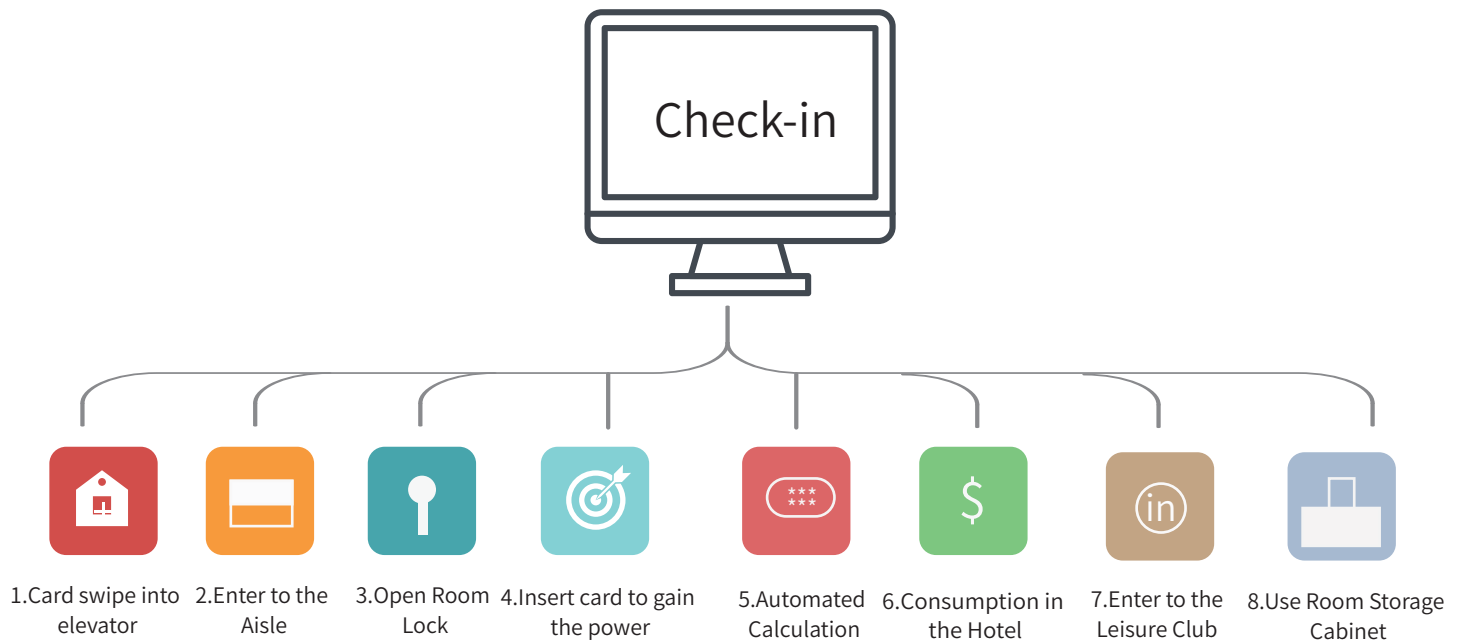
» The functional distinction of management card includes:

Setting card, time card, record card, restriction card.

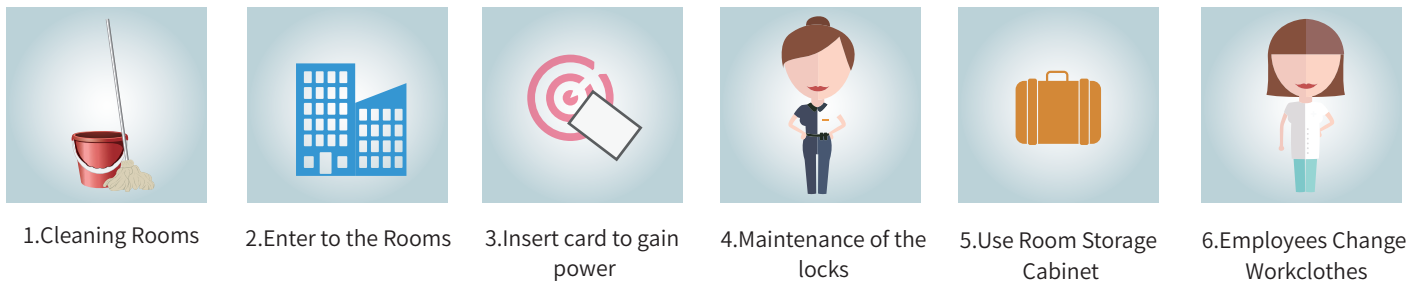
» IC card type:

TemicE5557/M1FARE-1 card/apartment ID board.

» MIFARE ONE(MFI)card Functional Extension



» Internal Controls



» Function characteristics

Hotel management system adopt MIFARE-1 as the core point, combining the hotel lock management, accessmanagement, accessmanagement system, parking all these to be a organic part, one card can be enough to use at all theonsuming, it is a better way to avoid the troble, it makes things easier, simple, tguarantee the different dept operationindependence, also guarantee the systematic Management.

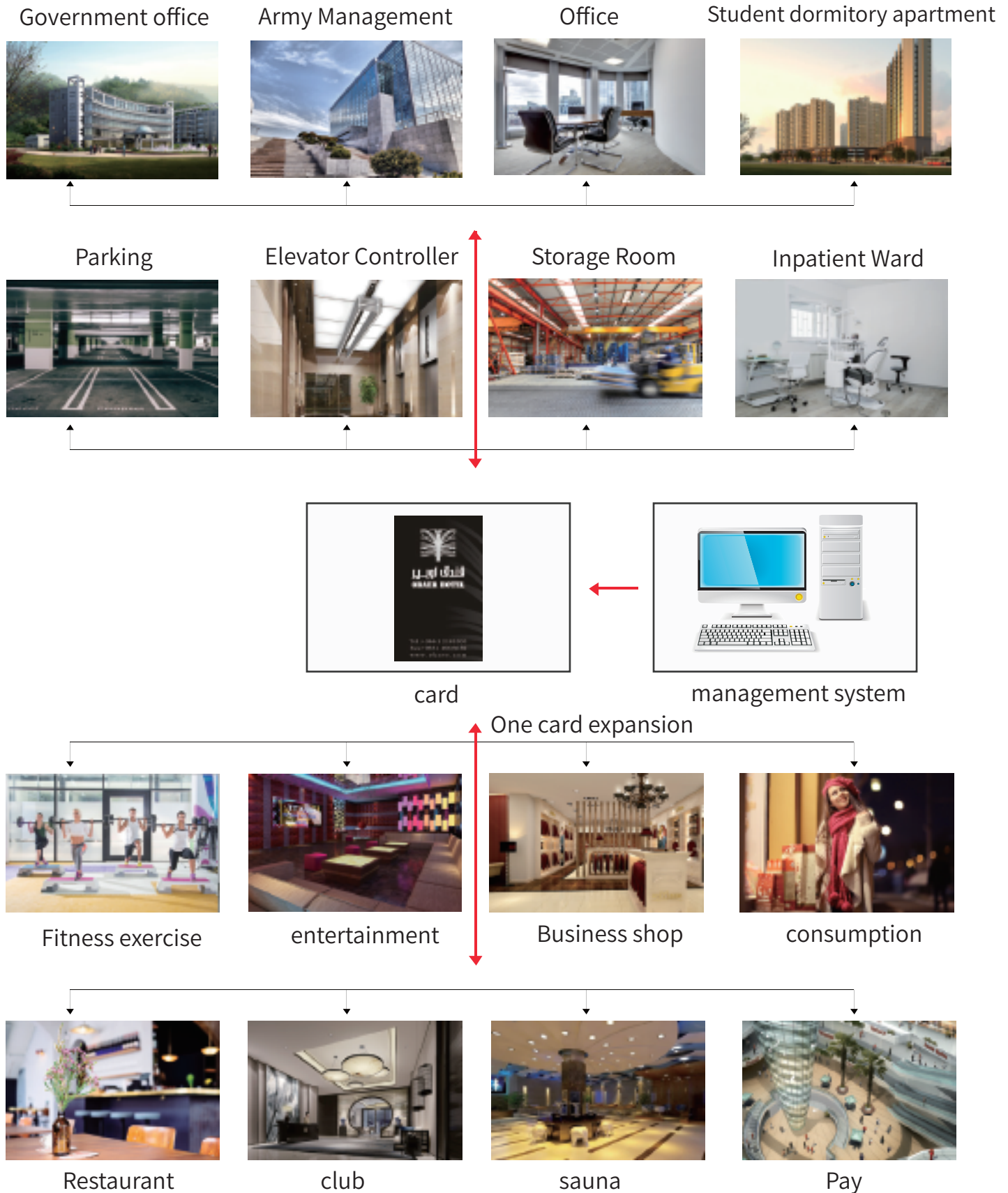
Due to that induction type cards have many benefits of high capacity high capacity, high reliability (no mechanicalinfluence) high security, easy iperations and long life time. they have been widely used into various kinds of buldings. public Chargings, the communities, school and factories.

» Other Application



Smart door locks, provide not only an Integrated and systematic application of management for hotels, but also safe and convenient managerial solutions for schools, hospitals, buildings, government, military and other public places to provide.

Electronic locks provide the mature and complete access control, and flexible and convenient management system, to ensure the ID verifications, tracking records, and access rights.



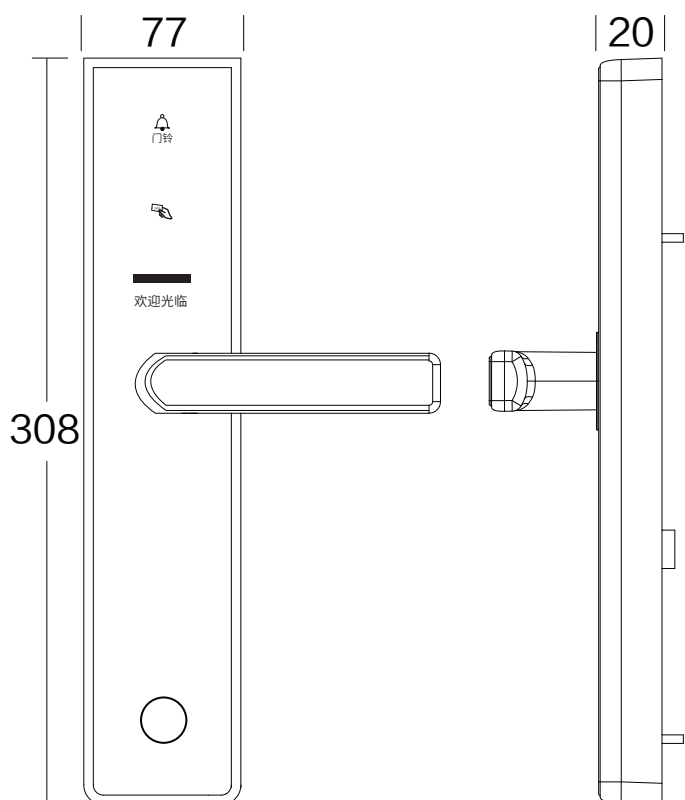
Hotel Intelligent Door Lock



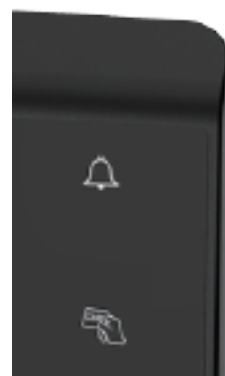
Simple, firm and durable appearance design style, stainless steel panel with alloy steel lining composite structure. Industrial grade motherboard design, Fully automatic SMI process, surface three-proof special treatment of high safety lock body, using the anti-interference function of American standard five-tongue lock body, can rotate the indoor knob.



SIZE (MM)



Emergency interface



Bring your own doorbell

Model Section B Upgraded Edition

Material 304 stainless steel + inner steel plate

Colour Black

Section B Upgraded Edition



Indoor lock

Outdoor lock

PARAMETER

Model	Section B Upgraded Edition	Method	Non-contact induction type
Unlock	Sensor cards. keys	Number	255 sheets
Time	<1S	Distance	<3CM
Frequency	125KHZ (T5557)	Frequency	13.56MHZ (M1)
Battery quantity	Four LR6 alkaline batteries	Voltage	1.5V
Low Voltage Alarm	< 4.8V	Induction distance	0-5CM
Quiescent current	<20 μ A	Dynamic current	<120mA
Temperature	-10°C-60°C(-20°C-70°C)	Thickness	38-55MM
Type	Temic E5557/M1FARE-1 card//apartment ID board (Customized according to customer requirements)		

Square series



A Gold



A Silver



A Section Red Bronze



A Black



B Gold



B Silver



B Section Red Bronze



B Black



B Upgraded Gold



B Upgraded Silver



B Upgraded Red Bronze



B Upgraded Black

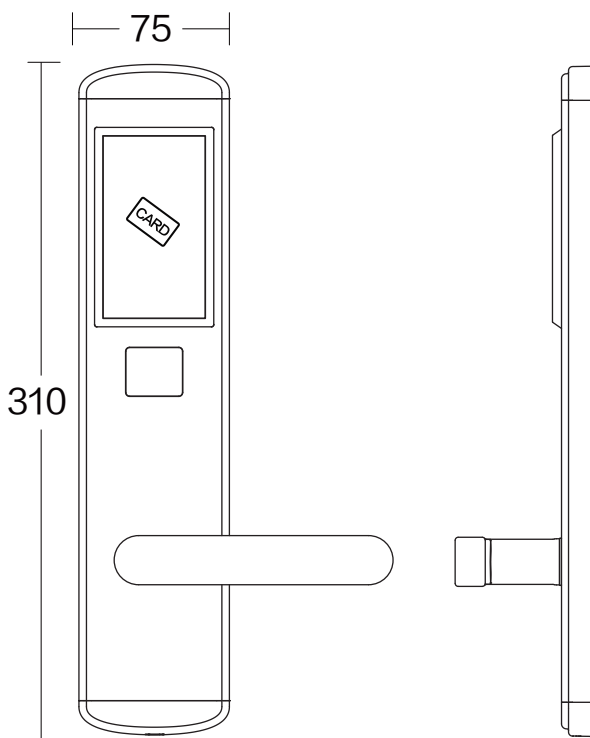
A2RF--Styled hotel lock



Redefining door lock with science and technology, enjoying the design of life industrial motherboard and fully automatic SMI process.



■ SIZE (MM)



Emergency interface

Model A2RF

Material 201 stainless steel + inner steel plate

Colour Silver

A2RF Series



A2RF-Black

A2RF-Silver

A2RF-Red Bronze

A2RF-Gold

PARAMETER

Model	A2RF	Method	Non-contact induction type
Size	310*75MM	Colour	Silver. Gold.Black.Red Bronze
Unlock	Sensor cards. keys	Number	255 sheets
Time	<1S	Distance	<3CM
Frequency	125KHZ (T5557)	Frequency	13.56MHZ (M1)
Battery quantity	Four LR6 alkaline batteries	Voltage	1.5V
Low Voltage Alarm	< 4.8V	Induction distance	0-5CM
Quiescent current	<20 μ A	Dynamic current	<120mA
Temperature	-10°C-60°C(-20°C-70°C)	Thickness	38-55MM
Type	Temic E5557/M1FARE-1 card//apartment ID board (Customized according to customer requirements)		



Square series



C Gold



C Silver



C Section Red Bronze



C Black



D Gold



D Silver



D Section Red Bronze



D Black



E Gold



E Silver



E Section Red Bronze



E Black

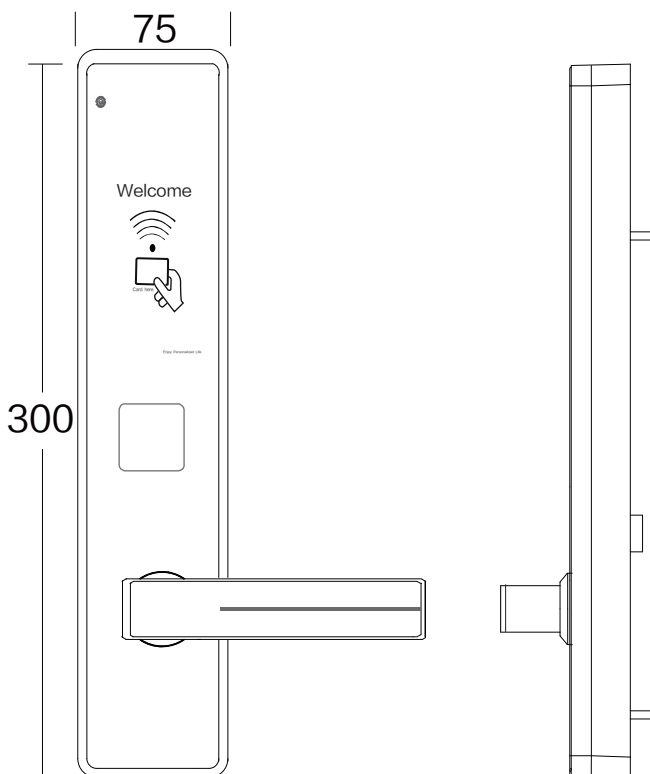
508RF--Luxury fashion



Originated from the minimalist design concept, it perfectly combines the classic black mirror with the stainless steel frame to highlight the fashionable and dynamic atmosphere.–508RF.



SIZE (MM)



Indoor lock Outdoor lock

Model 508RF

Material SUS 304

Colour Gold

508RF series



508RF-Silver



508RF-Gold



508RF-Black

PARAMETER

Model	508RF	Method	Non-contact induction type
Size	300*75MM	Colour	Silver. Gold.Black
Unlock	Sensor cards. keys	Number	255 sheets
Time	<1S	Distance	<3CM
Frequency	125KHZ (T5557)	Frequency	13.56MHZ (M1)
Battery quantity	Four LR6 alkaline batteries	Voltage	1.5V
Low Voltage Alarm	< 4.8V	Induction distance	0-5CM
Quiescent current	<20 μ A	Dynamic current	<120mA
Temperature	-10℃-60℃(-20℃-70℃)	Thickness	38-55MM
Type	Temic E5557/M1FARE-1 card//apartment ID board (Customized according to customer requirements)		



Hotel New Lock Series



508 Thin-Gold

508 Thin-Silver

508 Thin-Black

Material	SUS304
Size	300*75MM



152RF-Silver

152RF-Black

152RF-Red Bronze

152RF-Gold

Material	SUS304
Size	306*75MM

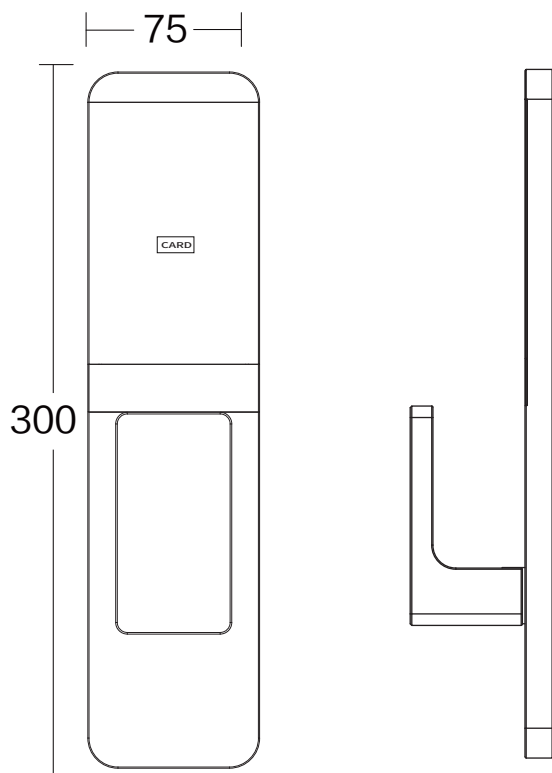
A8RF--Light luxury fashion



Originated from the minimalist design concept, the perfect combination of square handle and lock body highlights the fashionable and dynamic atmosphere.-A8RF。



SIZE (MM)



indoor lock

outdoor lock

Model A8RF

Material Ti Al alloy

Colour Silver

A8RF Series



A8RF-Black



A8RF-Silver



A8RF-Gold

PARAMETER

Model	A8RF	Method	Non-contact induction type
Size	300*75MM	Colour	Silver. Gold.Black
Unlock	Sensor cards. keys	Number	255 sheets
Time	<1S	Distance	<3CM
Frequency	125KHZ (T5557)	Frequency	13.56MHZ (M1)
Battery quantity	Four LR6 alkaline batteries	Voltage	1.5V
Low Voltage Alarm	< 4.8V	Induction distance	0-5CM
Quiescent current	<20 μ A	Dynamic current	<120mA
Temperature	-10°C-60°C(-20°C-70°C)	Thickness	38-55MM
Type	Temic E5557/M1FARE-1 card//apartment ID board (Customized according to customer requirements)		



Hotel New Lock Series

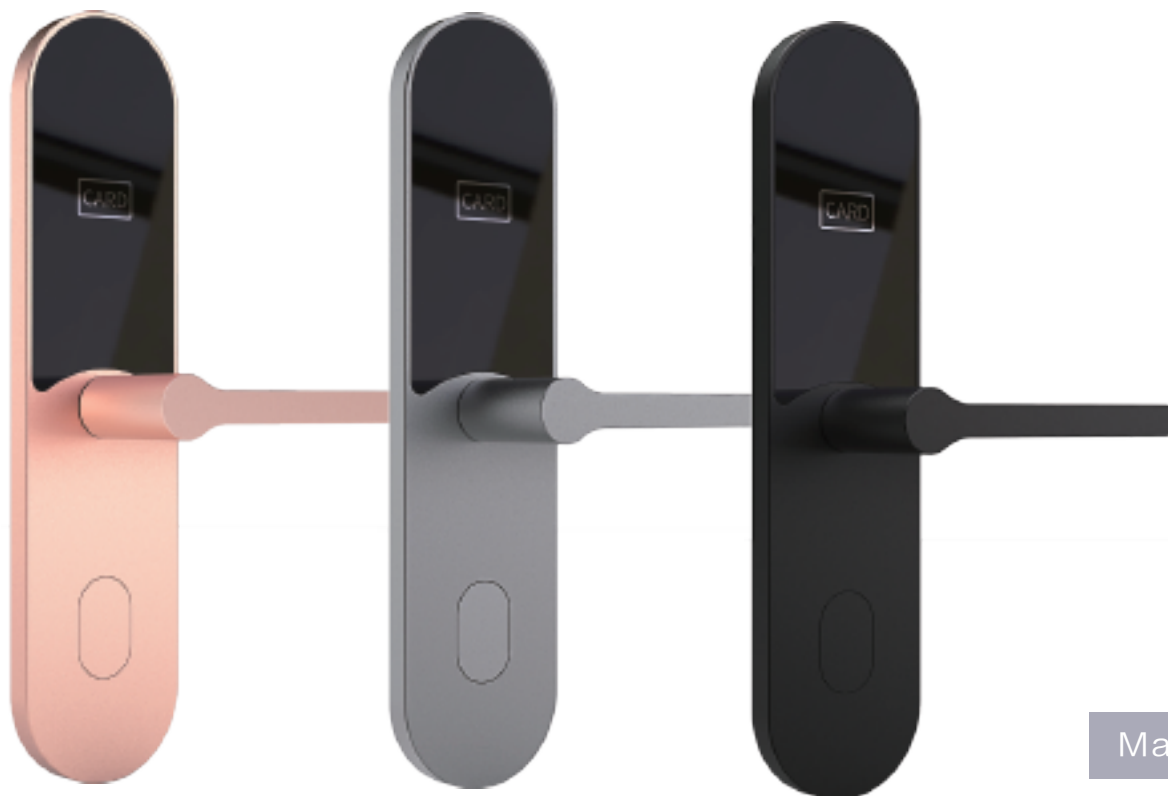


A6RF-Gold

A6RF-Silver

A6RF-Black

Material	Ti Al alloy
Size	300*75MM



A7RF-Gold

A7RF-Grey

A7RF-Black

Material	Ti Al alloy
Size	290*70MM

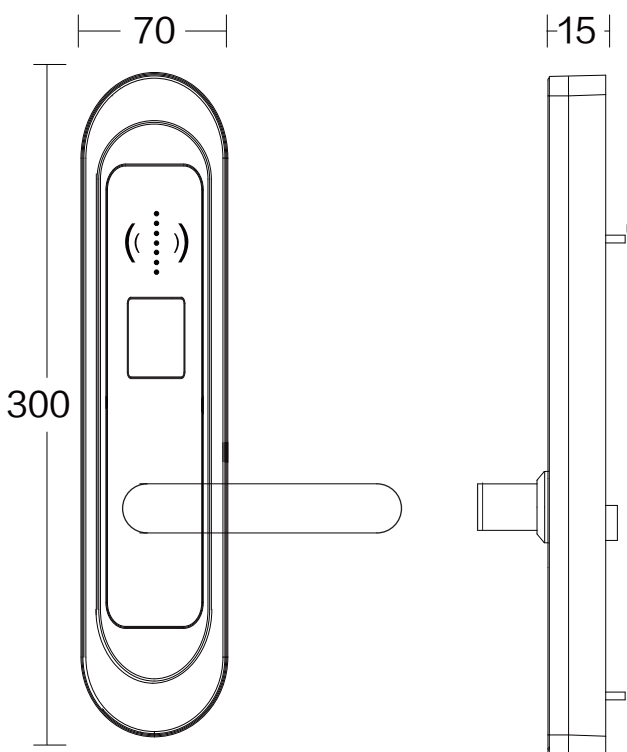
A9RF--Curve design, fashion and luxury



Zinc alloy material is made by special grinding process. It is corrosion-resistant, abrasion resistant and has good brightness.



SIZE (MM)



Indoor lock Outdoor lock

Model	A9RF
Material	Kirsite
Colour	Silver

A9RF series



A9RF-Black

A9RF-Silver

A9RF-Rose Red

A9RF-Gold

PARAMETER

Model	A9RF	Method	Non-contact induction type
Size	300*70MM	Colour	Silver. Rose red.Black.gold
Unlock	Sensor cards. keys	Number	255 sheets
Time	<1S	Distance	<3CM
Frequency	125KHZ (T5557)	Frequency	13.56MHZ (M1)
Battery quantity	Four LR6 alkaline batteries	Voltage	1.5V
Low Voltage Alarm	< 4.8V	Induction distance	0-5CM
Quiescent current	<20 μ A	Dynamic current	<120mA
Temperature	-10℃-60℃(-20℃-70℃)	Thickness	38-55MM
Type	Temic E5557/M1FARE-1 card//apartment ID board (Customized according to customer requirements)		

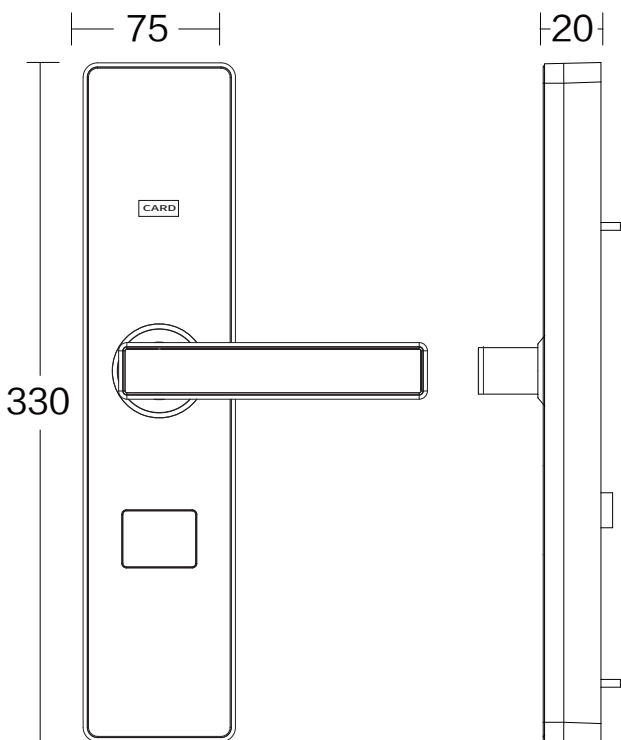
D2RF--Luxury fashion



304 stainless steel integrated design, industrial grade main board design, electroplating + wire drawing process, quality comes from focus, Real material, indestructible.



SIZE (MM)



Indoor lock Outdoor lock

Model	D2RF
Material	SUS 304
Colour	Silver

D2RF series



D2RF-Black

D2RF-Silver

D2RF-Red bronze

PARAMETER

Model	D2RF	Method	Non-contact induction type
Size	330*75MM	Colour	Silver. Red bronze.Black
Unlock	Sensor cards. keys	Number	255 sheets
Time	<1S	Distance	<3CM
Frequency	125KHZ (T5557)	Frequency	13.56MHZ (M1)
Battery quantity	Four LR6 alkaline batteries	Voltage	1.5V
Low Voltage Alarm	< 4.8V	Induction distance	0-5CM
Quiescent current	<20 μ A	Dynamic current	<120mA
Temperature	-10°C-60°C(-20°C-70°C)	Thickness	38-55MM
Type	Temic E5557/M1FARE-1 card//apartment ID board (Customized according to customer requirements)		



Hotel New Lock Series



D3RF-Black

D3RF-Silver

D3RF-Red Bronze

Material	SUS304
Size	340*70MM



605RF-Gold

605RF-Silver

605RF-Red bronze

605RF-Qing gu

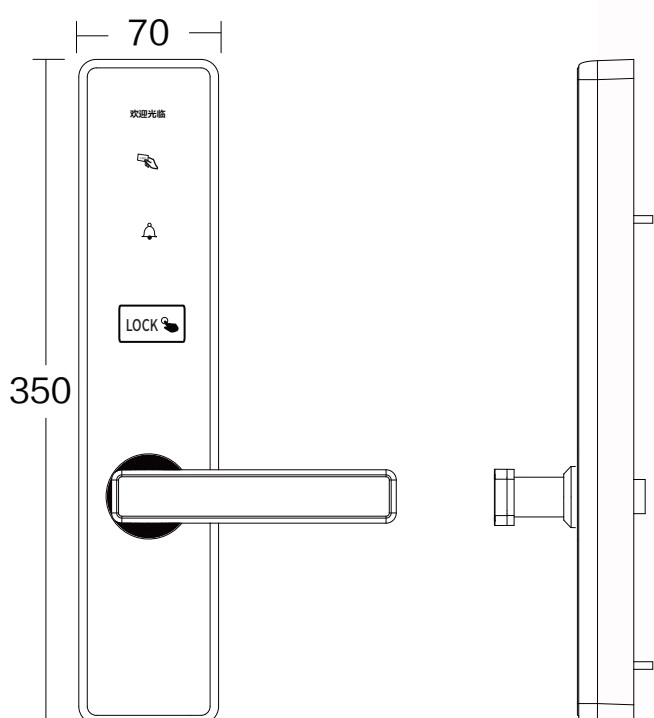
Material	Kirsite
Size	280*72MM
Lock body	2#CS

D9RF--A flagship fashion star

Simple, firm and durable appearance design style, stainless steel panel with alloy steel lining composite structure. Industrial grade motherboard design, With the integrated design of zinc alloy, fashion can return to simplicity. The lines are soft, radian and easy to handle.



SIZE (MM)



Emergency interface



Bring your own doorbell

Model D9RF

Material Kirsite

Colour Grey

D9RFseries



D9RF-Black



D9RF-Grey

PARAMETER

Model	D9RF	Method	Non-contact induction type
Size	350*70MM	Colour	Black. Grey
Unlock	Sensor cards. keys	Number	255 sheets
Time	<1S	Distance	<3CM
Frequency	125KHZ (T5557)	Frequency	13.56MHZ (M1)
Battery quantity	Four LR6 alkaline batteries	Voltage	1.5V
Low Voltage Alarm	< 4.8V	Induction distance	0-5CM
Quiescent current	<20 μ A	Dynamic current	<120mA
Temperature	-10℃-60℃(-20℃-70℃)	Thickness	38-55MM
Type	Temic E5557/M1FARE-1 card//apartment ID board (Customized according to customer requirements)		

Hotel Card Lock Series



200RF-Gold



200RF-Silver

Material Kirsite

Size 288*73MM



A5RF-Silver



A5RF-Black



A5RF-Gold

Material SUS304

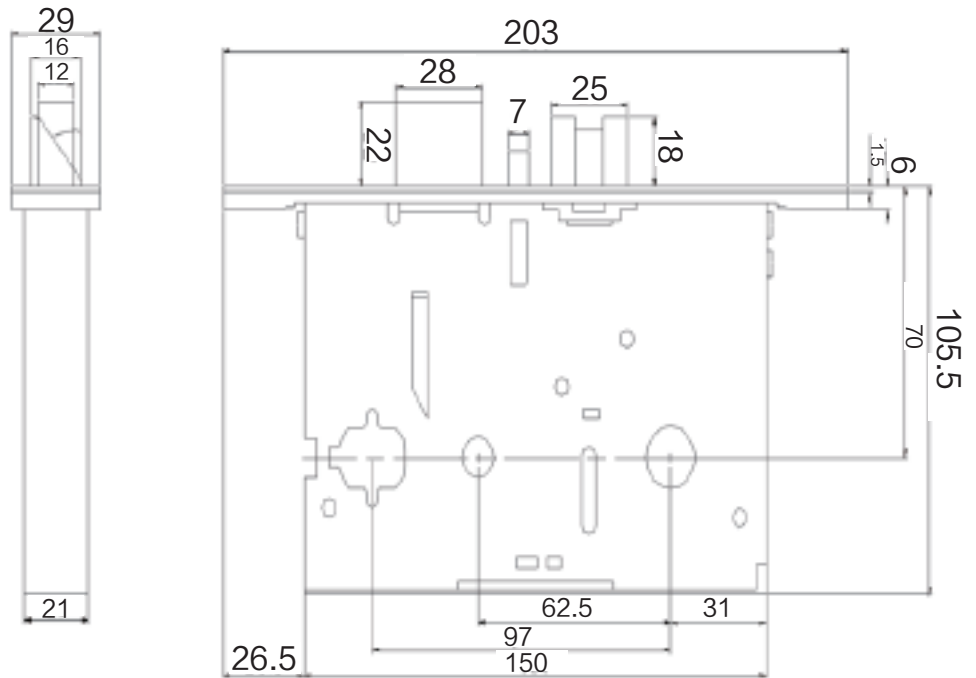
Size 280*73MM

Hotel Lock System Series



1#DS

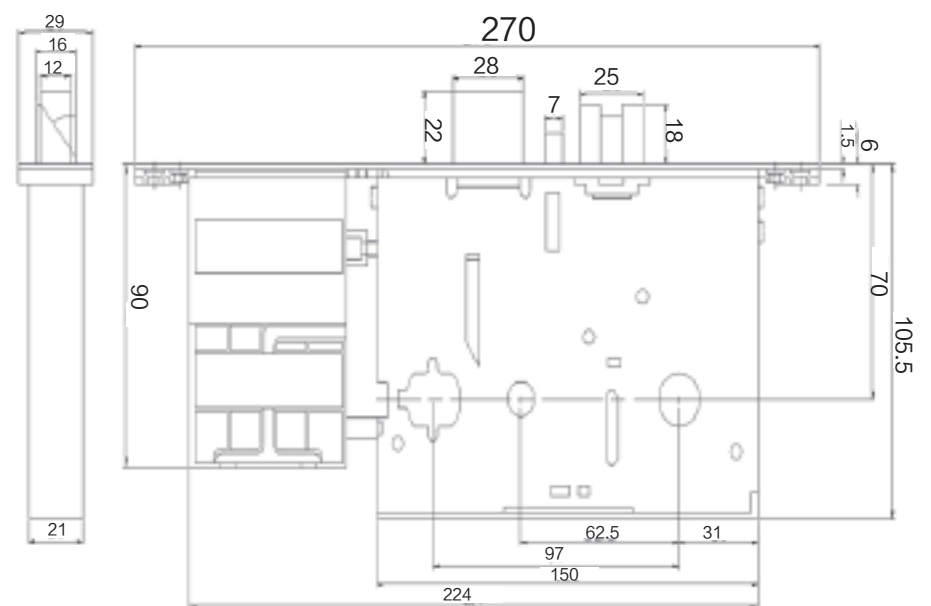
SIZE (MM)



SIZE (MM)



1#CS



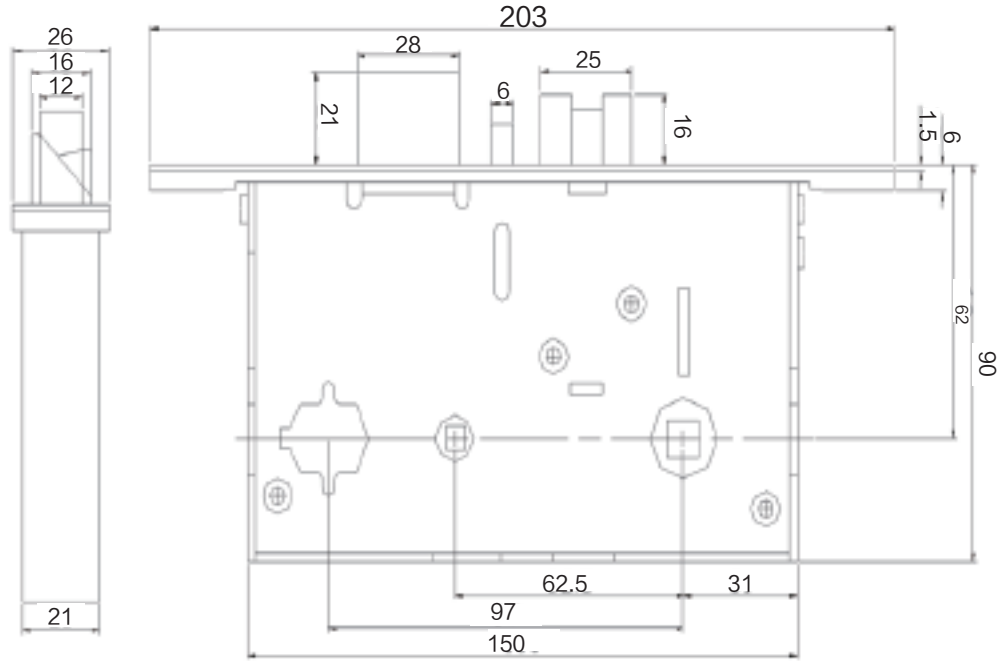
Hotel Lock System Series



SIZE (MM)



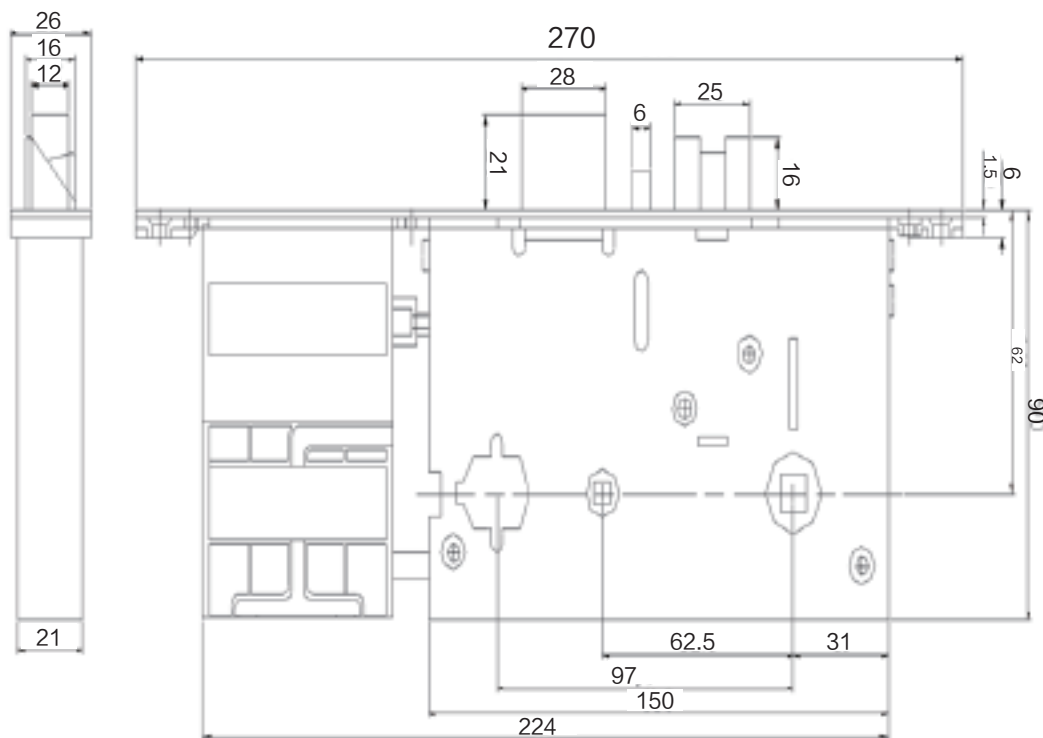
2#DS



SIZE (MM)



2#CS



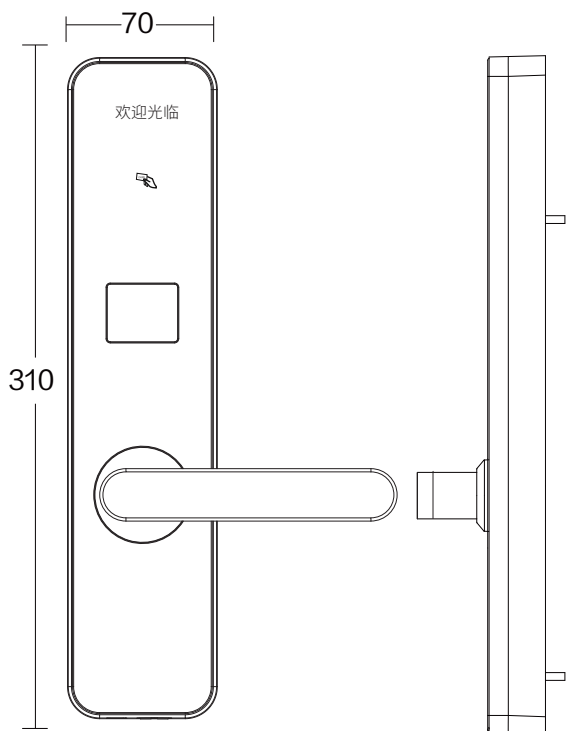
A3RF--Modern simple anti-theft door



Smart swipe card lock for anti-theft door. Simple and fashionable style.



SIZE (MM)



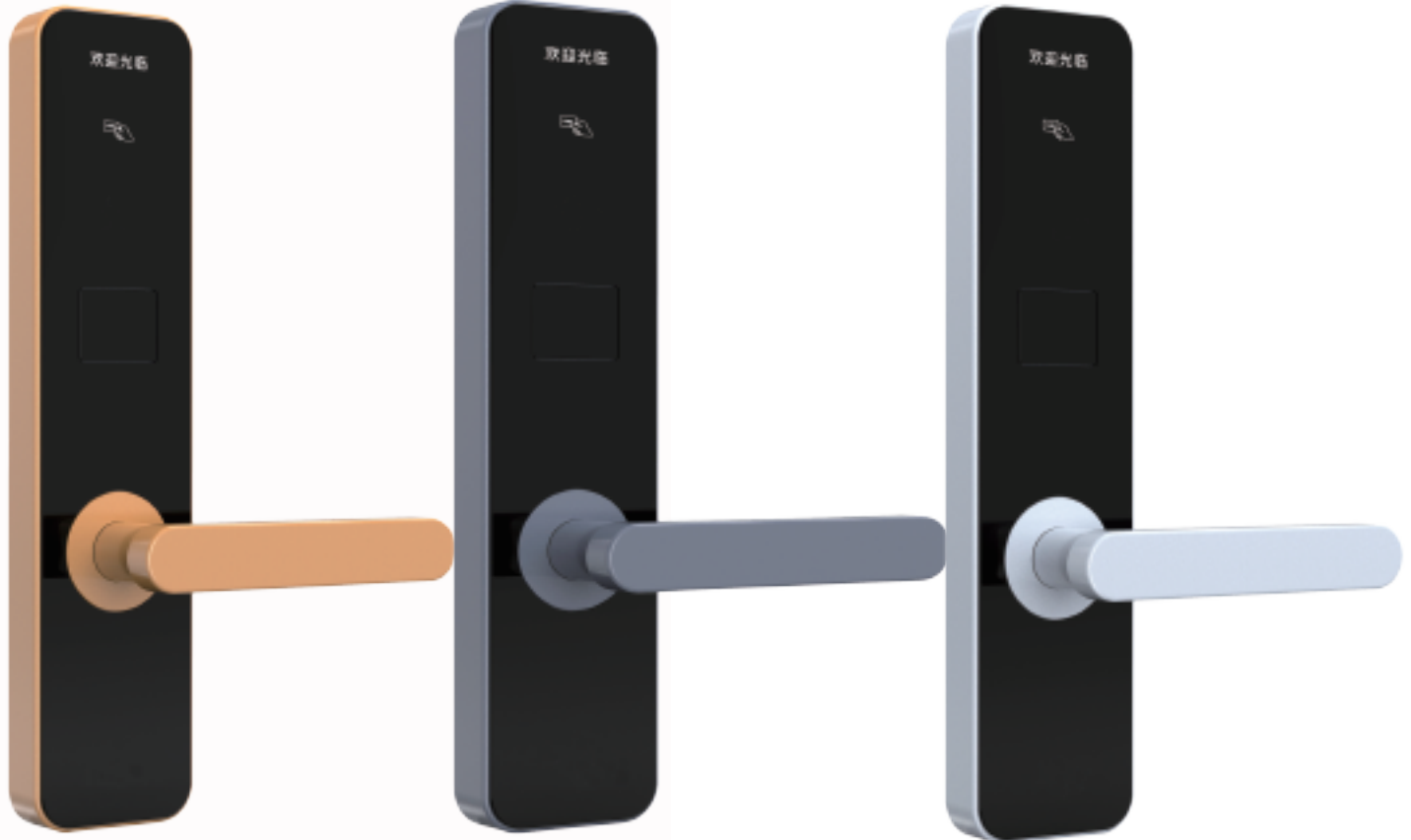
indoor lock

outdoor lock

Model	A3RF
Material	Kirsite
Colour	Grey

- Intelligent lock for anti-theft door

Anti-theft door hotel lock series



A3RF-Gold

A3RF-Grey

A3RF-White

PARAMETER

Model	A3RF	Method	Non-contact induction type
Size	310*70MM	Colour	Gold.White. Grey
Unlock	Sensor cards. keys	Number	255 sheets
Time	<1S	Distance	<3CM
Frequency	125KHZ (T5557)	Frequency	13.56MHZ (M1)
Battery quantity	Four LR6 alkaline batteries	Voltage	1.5V
Low Voltage Alarm	< 4.8V	Induction distance	0-5CM
Quiescent current	<20 μ A	Dynamic current	<120mA
Temperature	-10°C-60°C(-20°C-70°C)	Thickness	38-55MM
Type	Temic E5557/M1FARE-1 card//apartment ID board (Customized according to customer requirements)		

- Intelligent lock for anti-theft door

Anti-theft door hotel lock series



D2RF-Black

D2RF-Silver

D2RF-Red bronze

Material SUS304

Size 330*75MM



D3RF-Black

D3RF-Silver

D3RF-Red Bronze

Material SUS304

Size 340*70MM

- Intelligent lock for anti-theft door

Anti-theft door hotel lock series



1058RF-Silver



1058RF-Red bronze



1058RF-Black

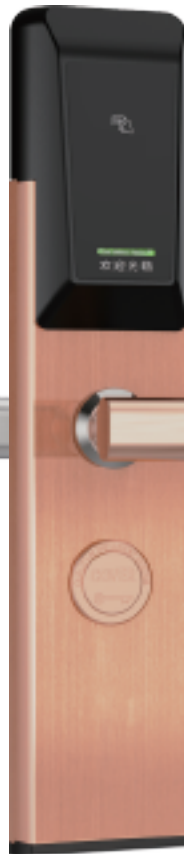
Material	SUS304
Size	360*75MM



1068RF-Gold



1068RF-Silver



1068RF-Red bronze

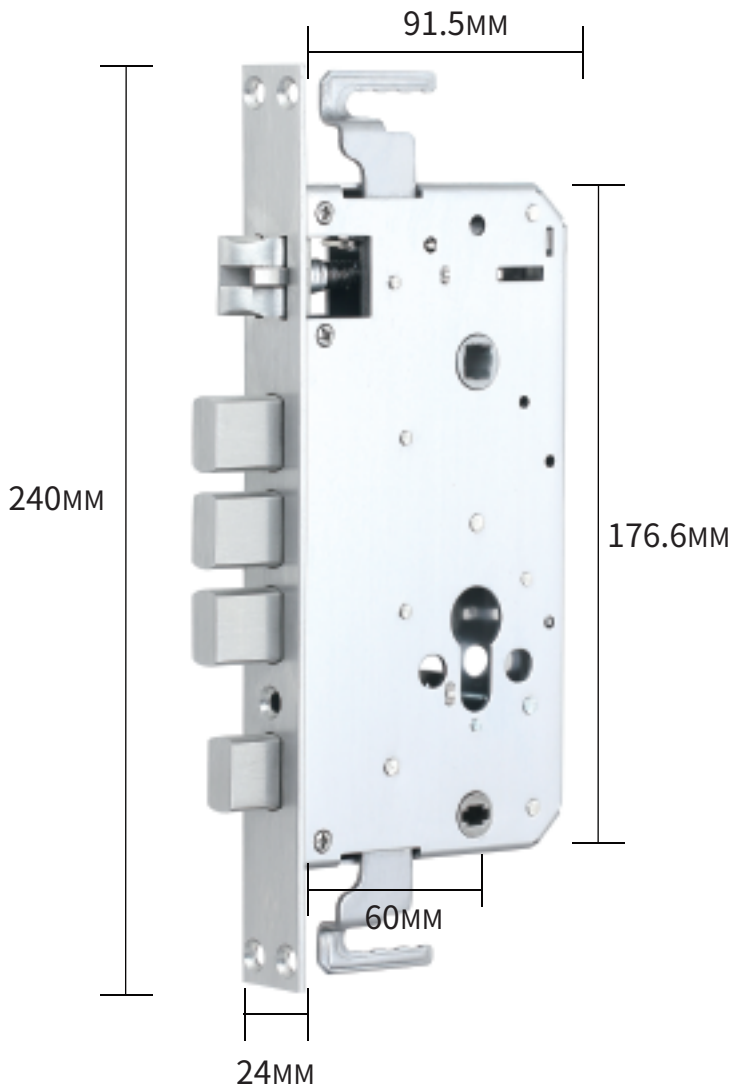


1068RF-Black

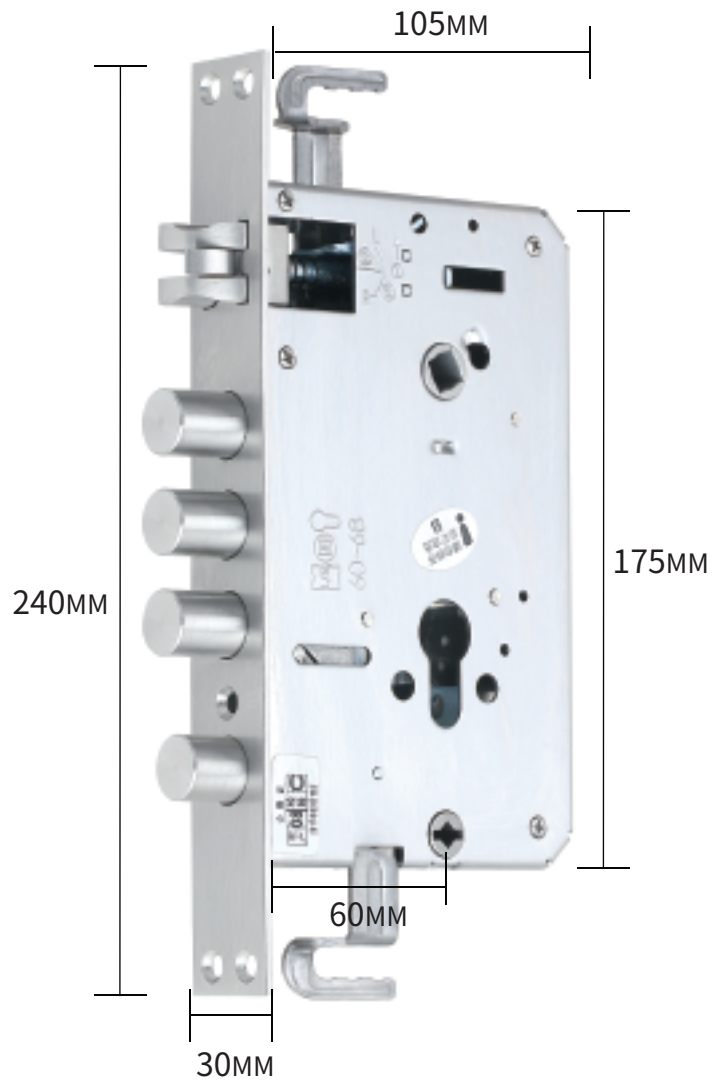
Material	Outer 304 Inner layer steel plate
Size	350*80MM

- Intelligent lock for anti-theft door

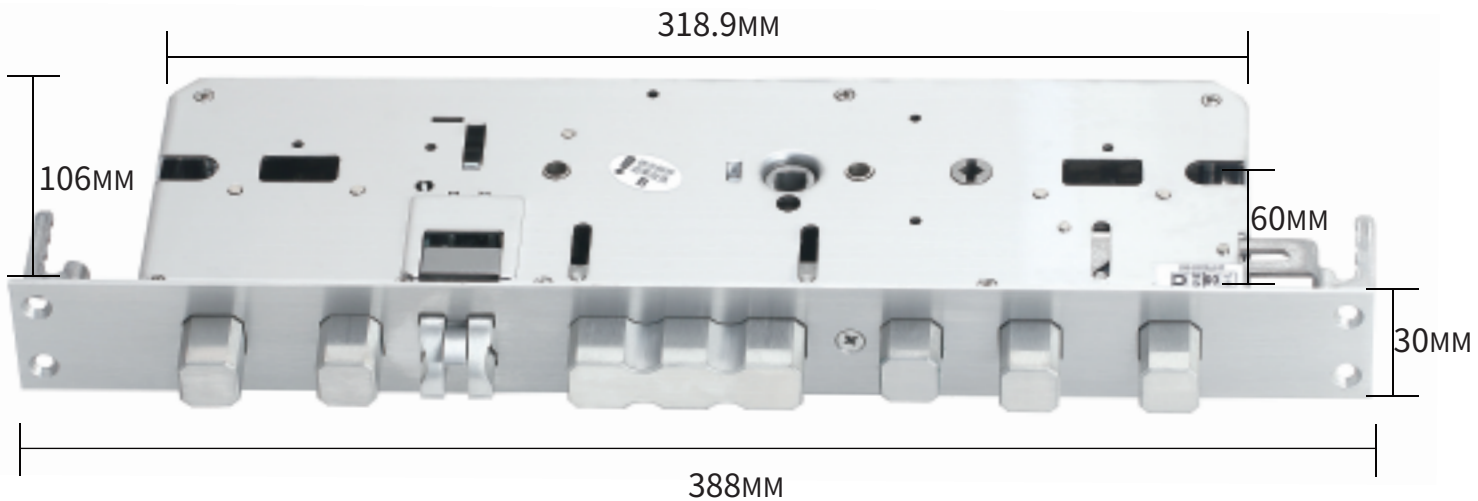
Anti-theft door lock system



Standard lock body



Cylindrical lock body



Overlock lock

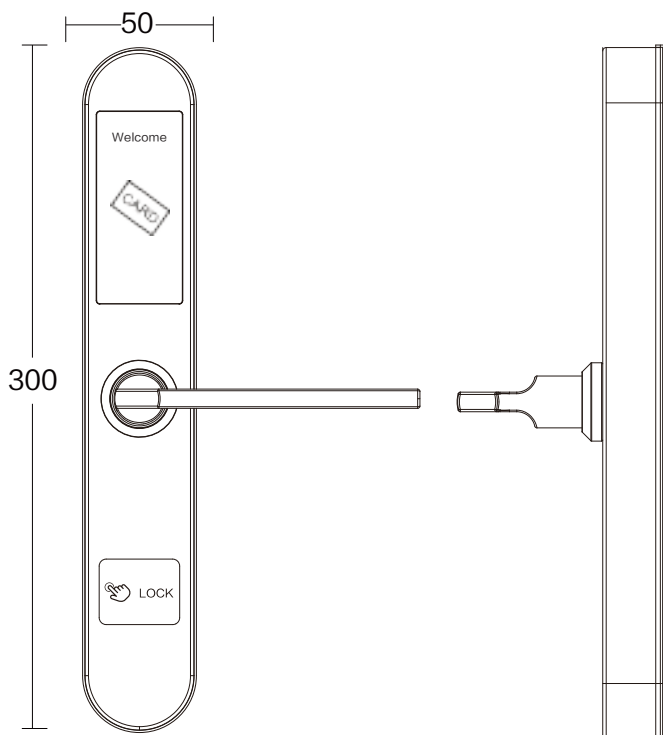
1018RF--Small and exquisite classic style



Intelligent card swipe lock for Broken Bridge Aluminum Hotel.



■ SIZE (MM)



Model	1018RF
Material	Stainless steel
Colour	Silver

Intelligent lock for broken bridge aluminium door

1018RF series



PARAMETER

Model	1018RF	Method	Non-contact induction type
Size	300*50MM	Colour	Silver, Gold, Black, Red bronze
Unlock	Sensor cards. keys	Lock core	All copper lock core
Time	<1S	Distance	<3CM
Frequency	125KHZ (T5557)	Frequency	13.56MHZ (M1)
Battery quantity	Four LR6 alkaline batteries	Voltage	1.5V
Low Voltage Alarm	< 4.8V	Induction distance	0-5CM
Quiescent current	<20 μ A	Dynamic current	<120mA
Temperature	-10 $^{\circ}$ C-60 $^{\circ}$ C(-20 $^{\circ}$ C-70 $^{\circ}$ C)	Thickness	38-55MM
Type	Temic E5557/M1FARE-1 card//apartment ID board (Customized according to customer requirements)		

- Intelligent lock for broken bridge aluminium door

Hotel New Lock Series



1019RF-Silver



1019RF-Black

Material	SUS304
Size	310*40MM



1018RF-Gold



1018RF-Silver



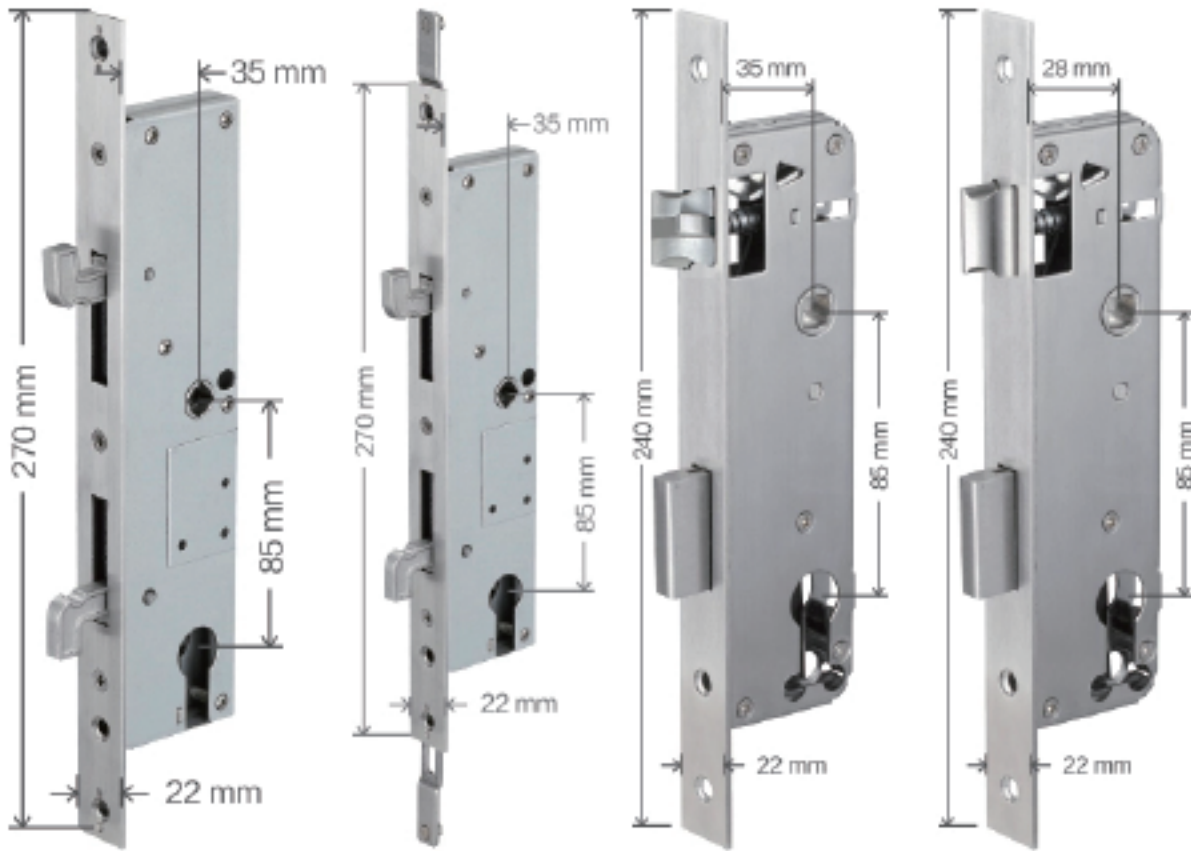
1018RF-Red bronze



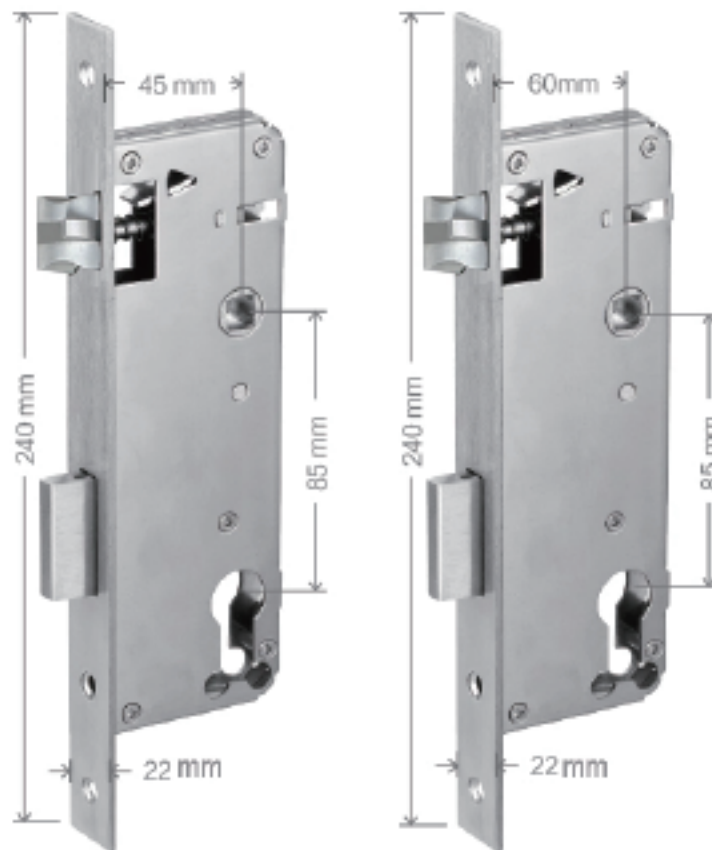
1018RF-Black

- Intelligent lock for broken bridge aluminium door

Broken Bridge Aluminum Door Lock System Series



6#(Double hook35*85+Without lock) 6#(Double hook35*85+With lock) 4#(35*85) 4#(28*85)



4#(45*85) 4#(60*85)

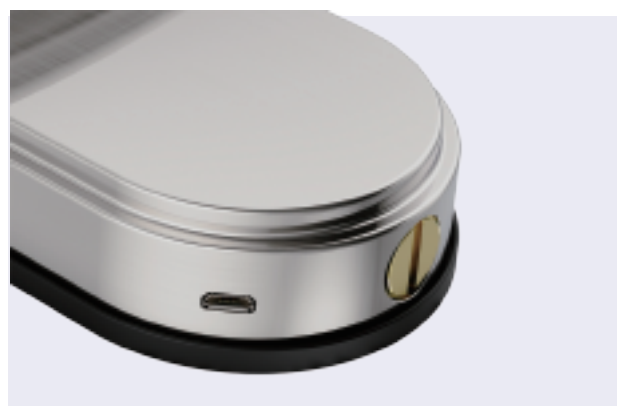
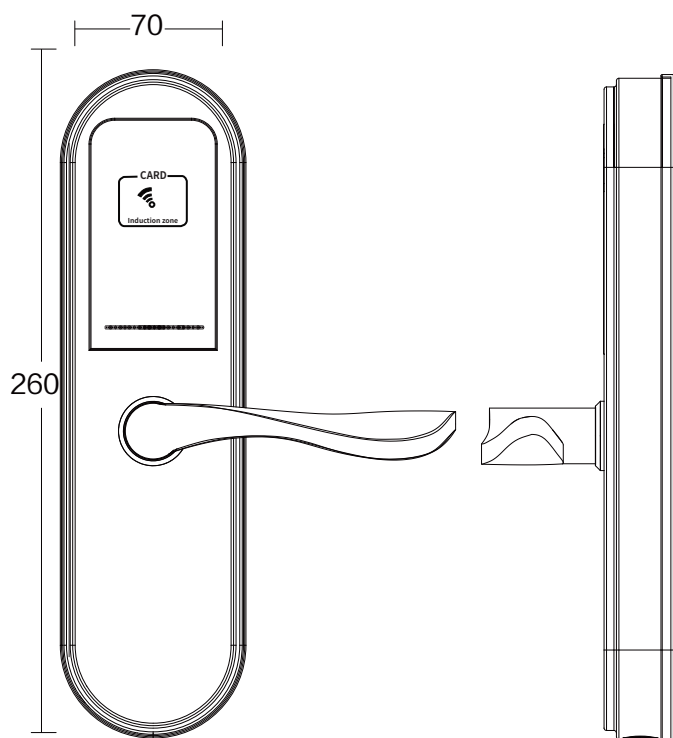
2018RF--Wooden door brush lock



Ball lock handle lock can be replaced directly.



■ SIZE (MM)



Emergency interface

Model 2018RF

Material Electroplating + Wire Drawing

Colour Silver

- Intelligent lock for wooden door

Hotel New Lock Series



2018RF-Silver

2018RF-Red bronze

2018RF-Black

PARAMETER

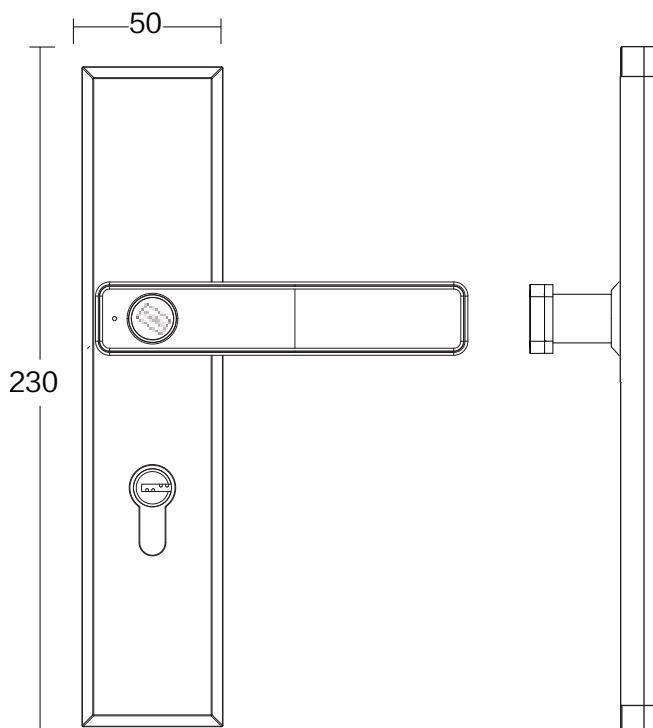
Model	2018RF	Method	Non-contact induction type
Size	260*70MM	Colour	Silver, Black, Red bronze
Unlock	Sensor cards. keys	Lock core	All copper lock core
Time	<1S	Distance	<3CM
Frequency	125KHZ (T5557)	Frequency	13.56MHZ (M1)
Battery quantity	Four LR6 alkaline batteries	Voltage	1.5V
Low Voltage Alarm	< 4.8V	Induction distance	0-5CM
Quiescent current	<20 μ A	Dynamic current	<120mA
Temperature	-10°C-60°C(-20°C-70°C)	Thickness	38-55MM
Type	Temic E5557/M1FARE-1 card//apartment ID board (Customized according to customer requirements)		

2026RF--Simple modern wooden door

Simple, firm and durable design style, zinc alloy material. Industrial main board design, with American standard five tongue lock body anti disturbance function.



■ SIZE (MM)



indoor lock

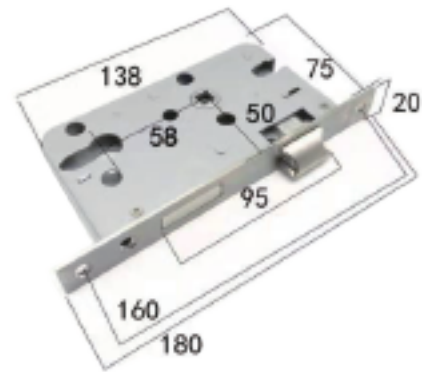
outdoor lock

Model 2026RF

Material Kirsite

Colour Silver

Hotel New Lock Series



2025RF-Qing Gu

2026RF-Silver

PARAMETER

Model	2025RF 2026RF	Method	Non-contact induction type
Size	230*50MM	Colour	Silver. Qing Gu
Unlock	Sensor cards. keys	Number	255 sheets
Time	<1S	Distance	<3CM
Frequency	125KHZ (T5557)	Frequency	13.56MHZ (M1)
Battery quantity	Four LR6 alkaline batteries	Voltage	1.5V
Low Voltage Alarm	< 4.8V	Induction distance	0-5CM
Quiescent current	<20 μ A	Dynamic current	<120mA
Temperature	-10°C-60°C(-20°C-70°C)	Thickness	38-55MM
Type	Temic E5557/M1FARE-1 card//apartment ID board (Customized according to customer requirements)		

Hotel New Lock Series



2023RF-Gold

2023RF-Silver

2023RF-Black

LOCK BODY A1 A2

Material Kirsite

Size R70MM



2019RF-Black

2019RF-Silver

2019RF-Gold

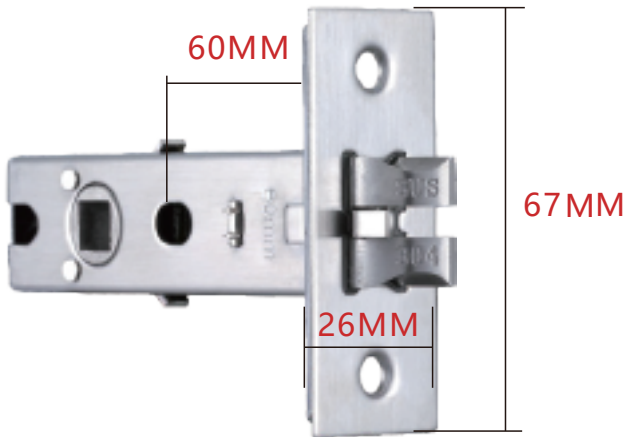
LOCK BODY 60*85

Material Kirsite

Size 140*60MM

- Intelligent lock for wooden door

Wooden Door Lock System Series



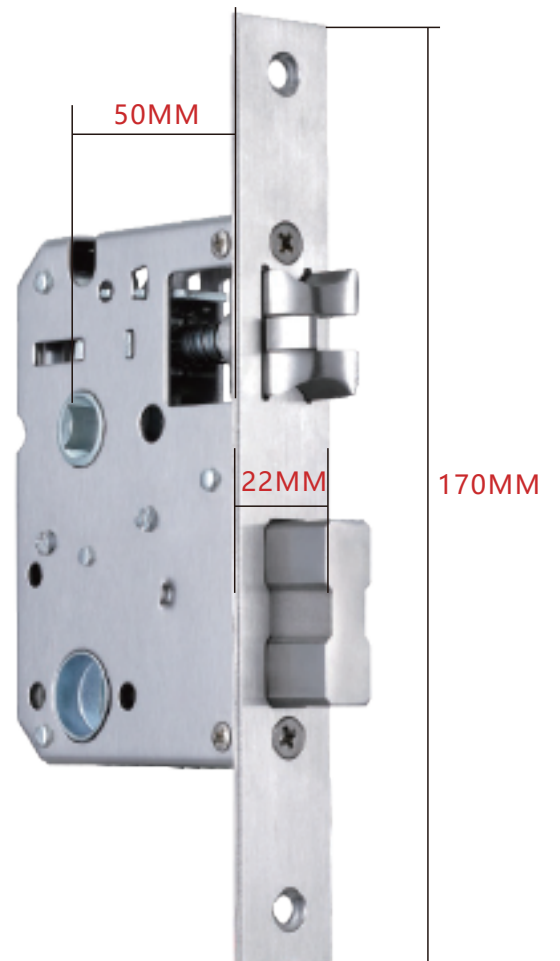
A1 lock body (center distance 60MM)



A2 lock body (center distance 70MM)



B1 lock body (center distance 50MM)



B2 lock body (center distance 50MM)

Double System Code Unlock Series



LOCK BODY 240*24

Material steel plate
Outer SUS304

Size 350*80MM

1068CM-Black 1068CM-Silver 1068CM-Red Bronze 1068CM-Gold



LOCK BODY 240*24

Material SUS 304

Size 360*75MM

1058CM-Black

1058CM-Silver

1058CM-Red Bronze

Double System Code Unlock Series



D2CM-Black

D2CM-Silver

D2CM-Red Bronze

LOCK BODY 240*24

Material SUS304

Size 330*75MM



D3CM-Black

D3CM-Silver

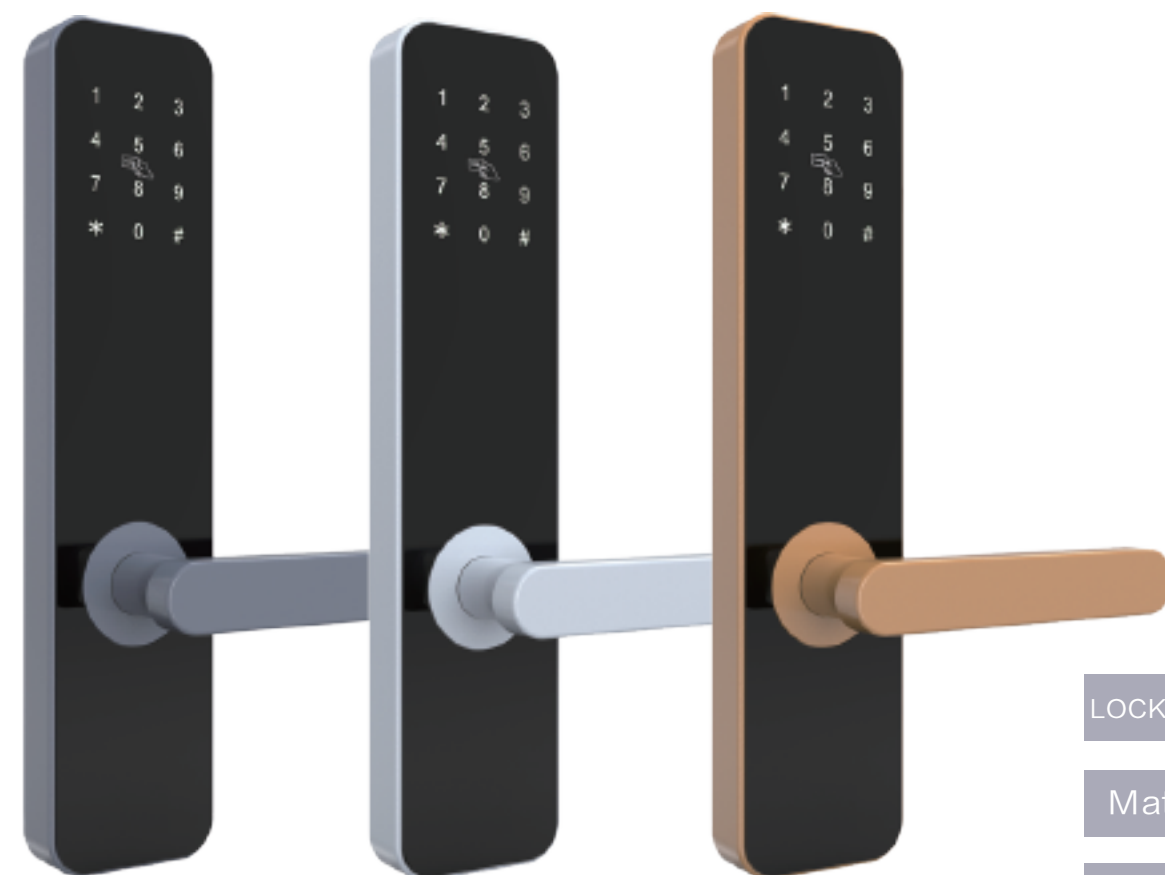
D3CM-Red Bronze

LOCK BODY 240*24

Material SUS304

Size 340*70MM

Double System Code Unlock Series



A3CM-Grey

A3CM-White

A3CM-Gold

LOCK BODY 240*24

Material Kirsite

Size 310*70MM



A5CM-Silver

A5CM-Black

A5CM-Gold

LOCK BODY 2# short

Material SUS304

Size 280*73MM

Double System Code Unlock Series



LOCK BODY	2# short
Material	steel plate Outer SUS304
Size	308*77MM

5188CM-Black 5188CM-Silver 5188CM-Gold 5188CM-Red Brone



LOCK BODY	2# short
Material	steel plate Outer SUS304
Size	300*75MM

508CM-Silver 508CM-Black 508CM-Gold



Double System Code Unlock Series



LOCK BODY	2# short
Material	steel plate Outer SUS304
Size	306*75MM

152CM-Black 152CM-Silver 152CM-Red Bronze 152CM-Gold



LOCK BODY	2# short
Material	steel plate Outer SUS304
Size	310*75MM

A2CM-Black A2CM-Silver A2CM-Red Bronze A2CM-Gold

Double System Code Unlock Series



A6CM-Black

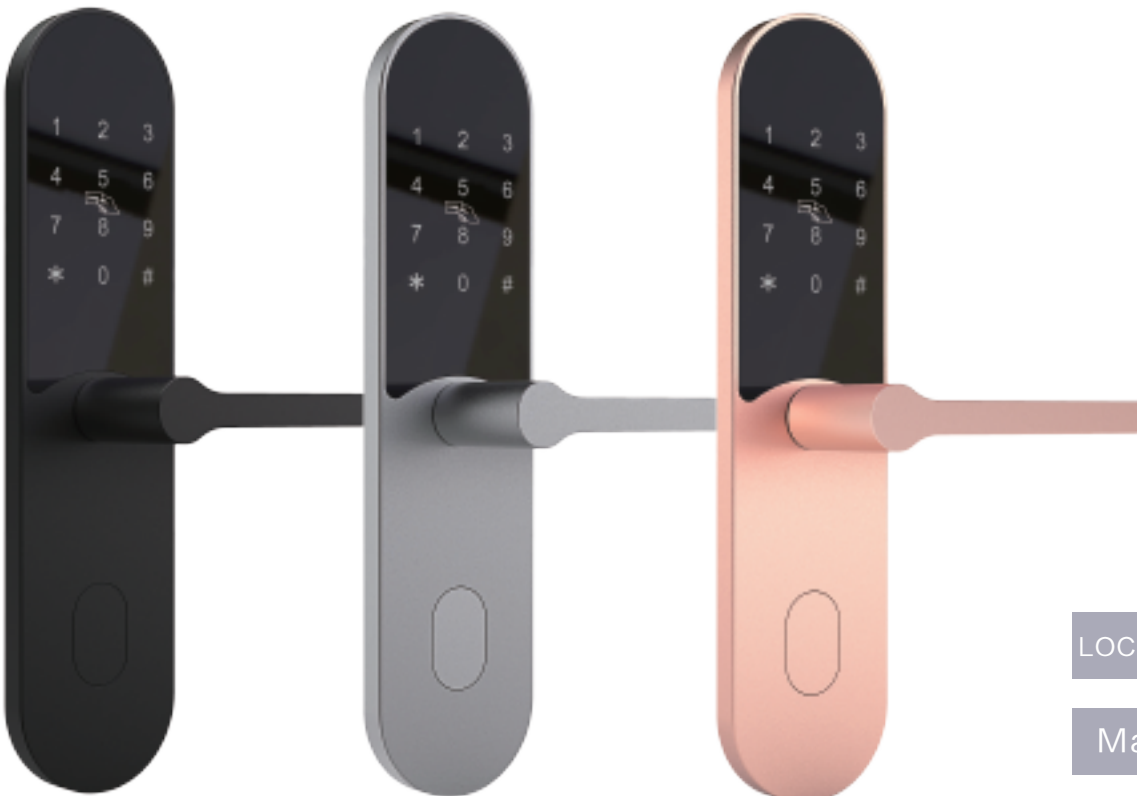
A6CM-Silver

A6CM-Gold

LOCK BODY 2# short

Material Ti Al alloy

Size 300*75MM



A7CM-Black

A7CM-Grey

A7CM-Gold

LOCK BODY 2# short

Material Ti Al alloy

Size 290*70MM

Double System Code Unlock Series



A8CM-Black



A8CM-Silver



A8CM-Gold

LOCK BODY 2# short

Material Ti Al alloy

Size 300*75MM

Smart Hotel Touch Switch

Technical parameters



working temperature: 0C~40C

Model: Special Switch for Meet Shop
Time Room Number Switch

Relative temperature: 10%~39%
(non-condensing)

Colour: White Gold

Rated operating voltage: 180~240VAC 95~140VAC

Outline size: 86*86*42MM

working frequency: 50—60Hz

Applicable country: Bottom box size

Free power: Peak 6600w

Power waste: <0.8W

Function introduction

▼ The hotel special energy-saving switch is a power supply control switch designed for energy saving and safety of the hotel. It has the characteristics of energy saving, safety and controllability.

▼ When the customer checks in, insert the opening card into the energy-saving switch, the total power supply can turn on and withdraw the door card, and the energy-saving switch will automatically cut off after 5-10 seconds delay to ensure convenience and energy saving.

▼ Identify multiple card types:

Identification card switch: IC card, RF card or MI card in our hotel can get electricity, other cards, paper, etc. can not get electricity.

Identify room number card switch: Only the door card or master control card, emergency card, computer card of this building, layer control card of this floor can be accessed, other business cards, paper cards, can not open the door. All cards can't get electricity. This switch can control the time for customers to use electricity. It has the same property as the door lock.

AT101 White (hotel only)

AT201 White (Time Room Number)

AT101 Gold (hotel only)

AT201 Gold (Time Room Number)

