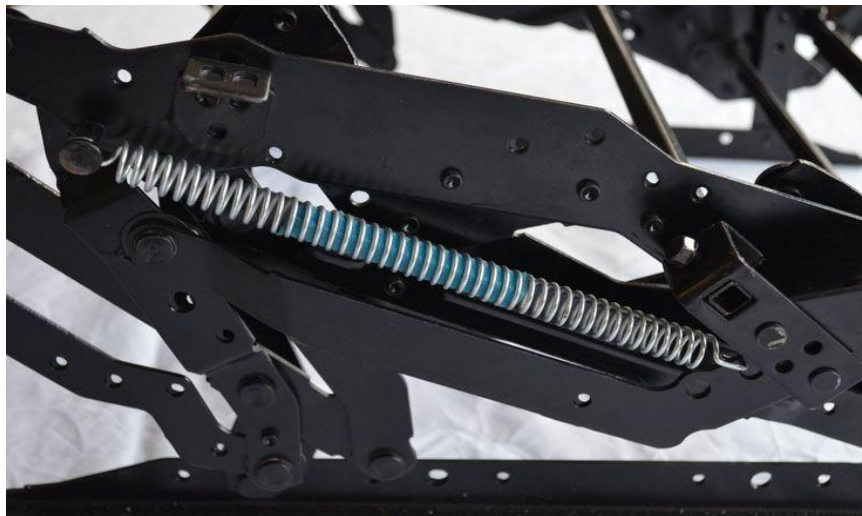




Trendy Hardware with Passion

**Range 7
Furniture Mechanism**



www.domusitalya.com

info@domusitalya.com





Trendy Hardware with Passion

Part 1
Swivel Bases



www.domusitalya.com

info@domusitalya.com



SWIVEL BASES



Swivel Plate		
Code	Size	Finish
FFMSB0440100BK	100mm	Black
FFMSB0440150BK	150mm	Black
FFMSB0440200BK	200mm	Black



Single Extension Swivel Plate		
Code	Size	Finish
FFMSB0450300BK	300mm	Black



Full Extension Swivel Plate		
Code	Size	Finish
FFMSB0460300BK	300mm	Black

Sofa Base Swivel Plate		
Code	Size	Finish
FFMSB0460300BK	300mm	Black



Trendy Hardware with Passion

Part 2
Coffee Table Brackets

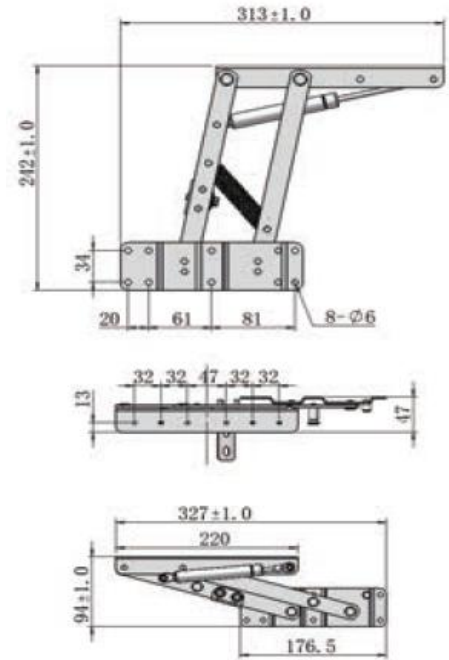


www.domusitalya.com

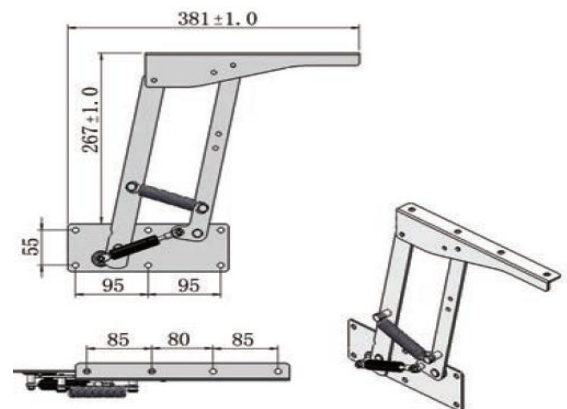
info@domusitalya.com


Galeon by **D.I.**
Made In China

COFFEE TABLE BRACKETS



Code
FFMSBWHAA1

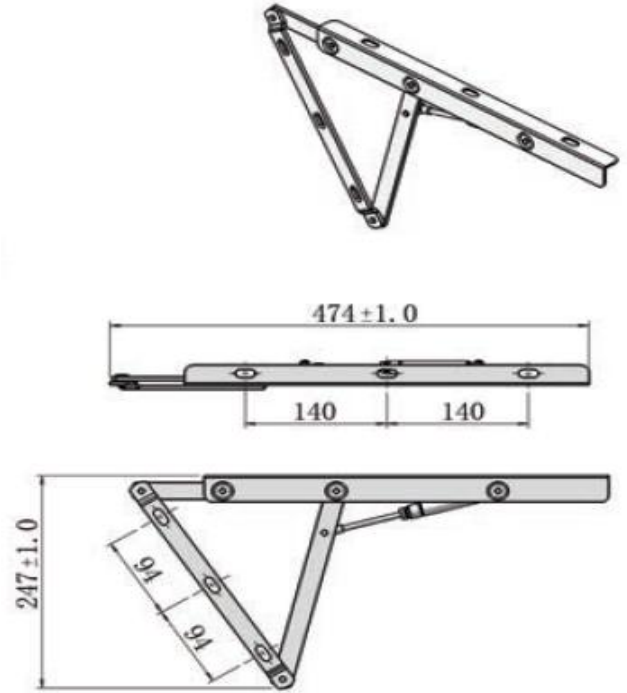


Code
FFMSBWHAA4

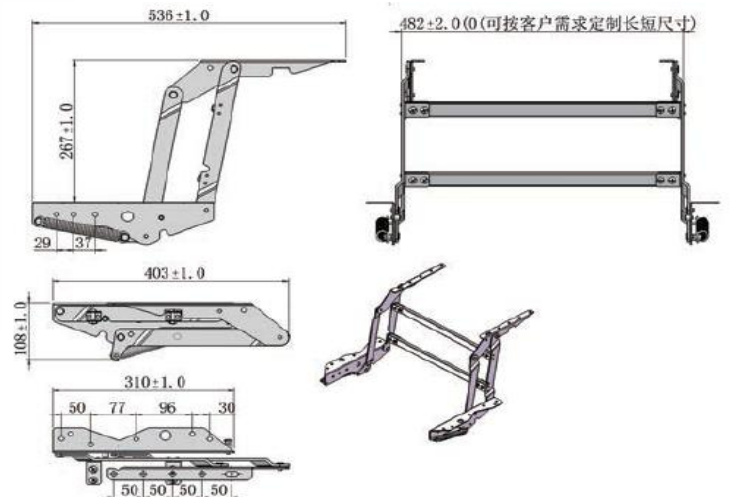
COFFEE TABLE BRACKETS



Code
FFMSBWHAA5



Code
FFMSBWHAB1



COFFEE TABLE BRACKETS



Code

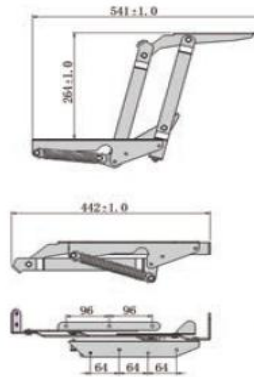
FFMSBWHAA8



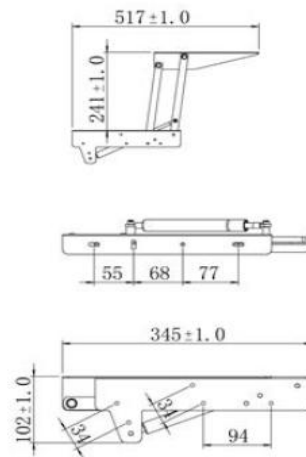
Code

FFMSBWHAB6

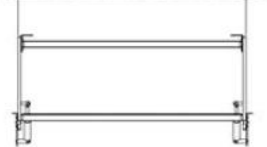
COFFEE TABLE BRACKETS



Code
FFMSBWHAB12



630±2.0 (可按客户需求制定长度尺寸)



Code
FFMSBWHAA3

COFFEE TABLE BRACKETS



Code

FFMSBWHAC1



Code

FFMSBWHAD1



Part 3
DINING TABLE MECHANISM



DINING TABLE MECHANISM

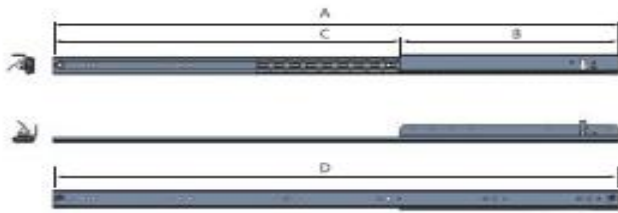


Code
FFMSBWHBA48

DINING TABLE MECHANISM



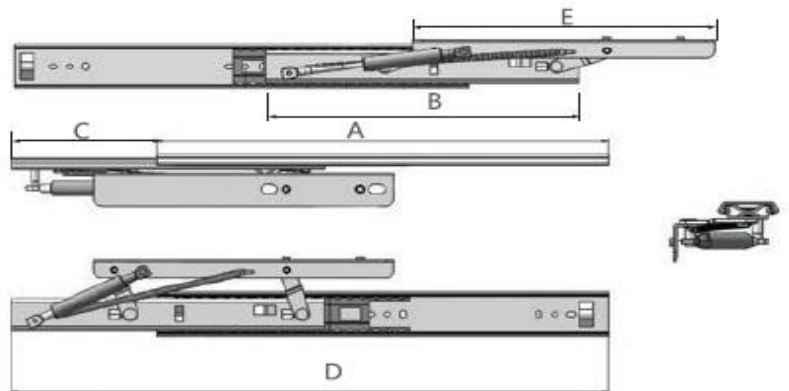
Code
FFMSBWHBR35



Code
FFMSBWHBR48



DINING TABLE MECHANISM



Track A	Track B	Track C	Track D
420 mm	290 mm	236 mm	526 mm

Code
FFMSBWHBZY482

Track E
280 mm
350 mm
380 mm
390 mm
400 mm

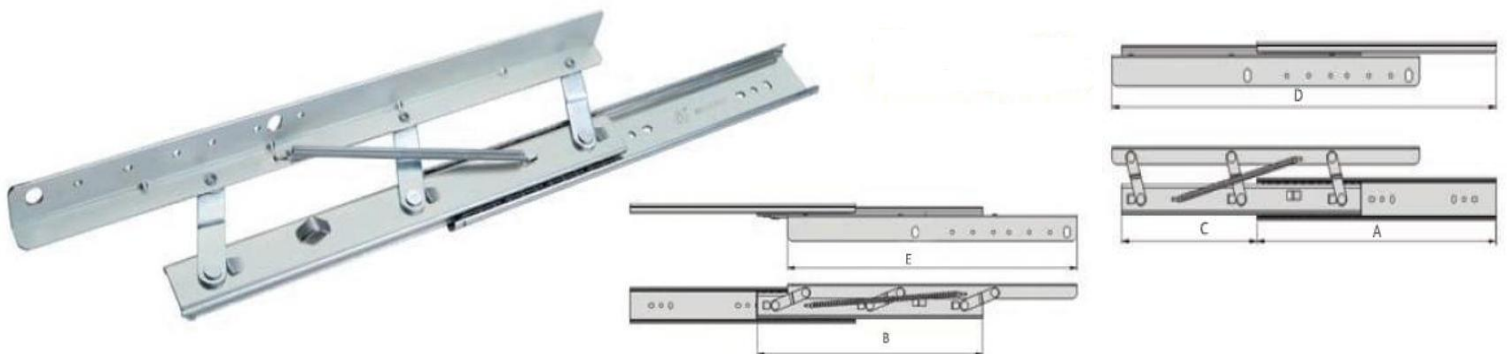
DINING TABLE MECHANISM



Track A	Track B	Track C	Track D
420 mm	260 mm	266 mm	526 mm

Code
FFMSBWHBZ482

Track E
280 mm
350 mm
390 mm



Track A	Track B	Track C	Track D	Track E
350 mm	350 mm	192 mm	548 mm	450 mm
400 mm	400 mm	245 mm	645 mm	450 mm
500 mm	500 mm	345 mm	845 mm	450 mm

Code
FFMSBWHBZ350

DINING TABLE MECHANISM



Code

FFMSBWHBN02



Code

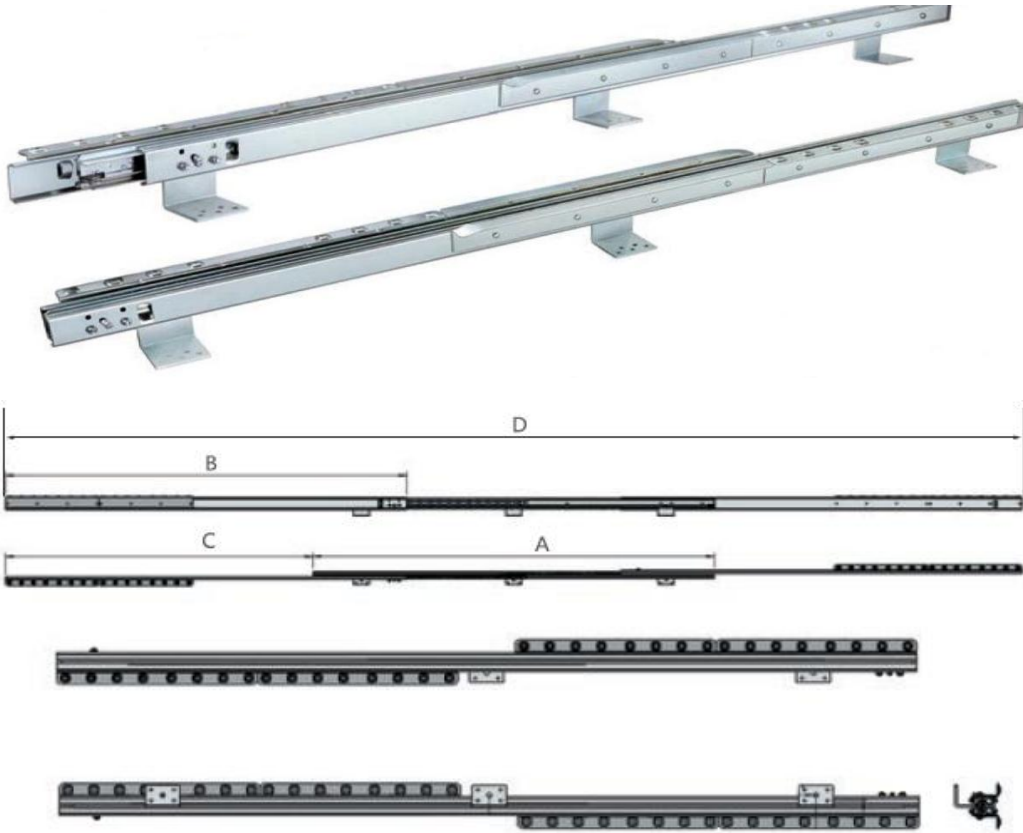
FFMSBWHBNL02



Code

FFMSBWHBD02

DINING TABLE MECHANISM



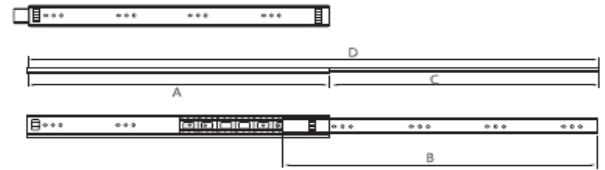
Track A	Track B	Track C	Track D
1380 mm	1380 mm	1018 mm	3416 mm
1500 mm	1500 mm	1150 mm	3800 mm

Code
FFMSBWHBA03



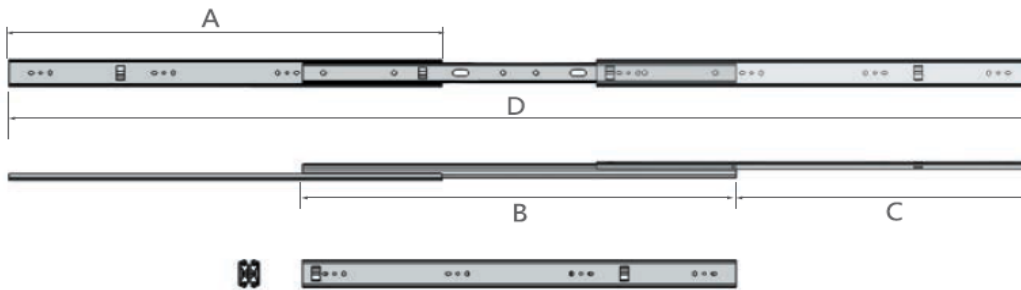
Code
FFMSBWHBN03

SOFA MECHANISM



Track A	Track B	Track C	Track D
585 mm	615 mm	495 mm	1110 mm

Code
FFMSBWHBH585

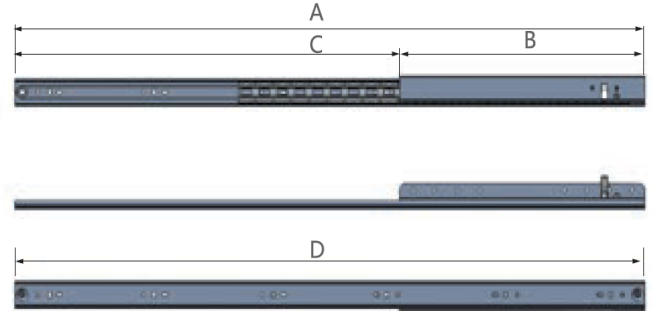


Track A	Track B	Track C	Track D
400 mm	400 mm	200 mm	800 mm
500 mm	500 mm	245 mm	990 mm
600 mm	600 mm	340 mm	1280 mm
685 mm	685 mm	465 mm	1615 mm
1130 mm	1130 mm	565 mm	2260 mm
1200 mm	1200 mm	600 mm	2400 mm



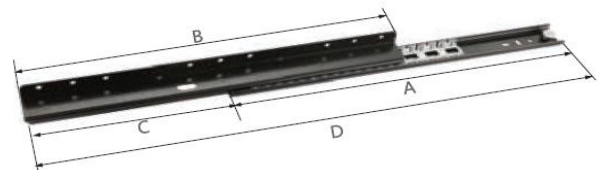
Code
FFMSBWHBH685

DINING TABLE MECHANISM



Track A	Track B	Track C	Track D
450 mm	200 mm	250 mm	450 mm
800 mm	400 mm	400 mm	800 mm
900 mm	400 mm	500 mm	900 mm
1000 mm	400 mm	600 mm	1000 mm
1100 mm	400 mm	700 mm	1100 mm
1200 mm	400 mm	800 mm	1200 mm

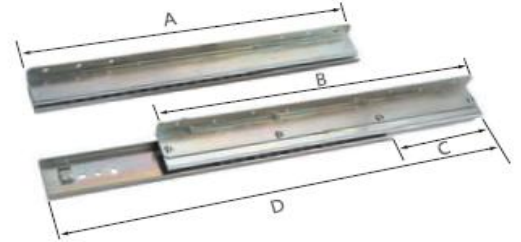
Code
FFMSBWHBCL35



Track A	Track B	Track C	Track D
350 mm	350 mm	200 mm	550 mm
400 mm	400 mm	250 mm	650 mm
500 mm	500 mm	300 mm	800 mm
750 mm	650 mm	450 mm	1200 mm
800 mm	800 mm	500 mm	1300 mm
1000 mm	400 mm	640 mm	1440 mm

Code
FFMSBWHBC35

DINING TABLE MECHANISM



Track A	Track B	Track C	Track D
350 mm	350 mm	150 mm	500 mm
500 mm	500 mm	300 mm	800 mm
800 mm	800 mm	500 mm	1300 mm
1000 mm	1000 mm	600 mm	1600 mm
1300 mm	1300 mm	800 mm	2100 mm

Code
FFMSBWHBC4835



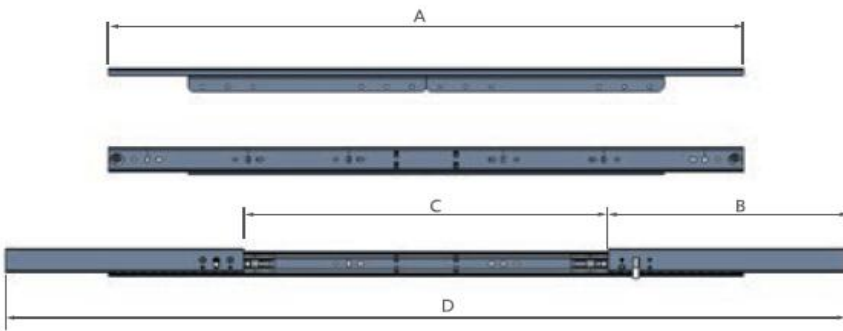
Track A	Track B	Track C	Track D
350 mm	350 mm	200 mm	550 mm
500 mm	500 mm	300 mm	800 mm
900 mm	900 mm	530 mm	1430 mm
1000 mm	1000 mm	600 mm	1600 mm
1200 mm	1000 mm	400 mm	1600 mm

Code
FFMSBWHBCL48

DINING TABLE MECHANISM



Code
FFMSBWHB38
Stainless Steel 304



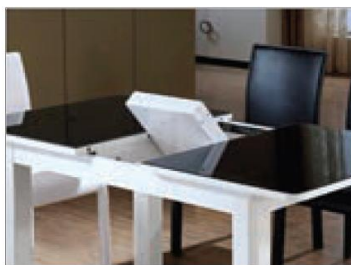
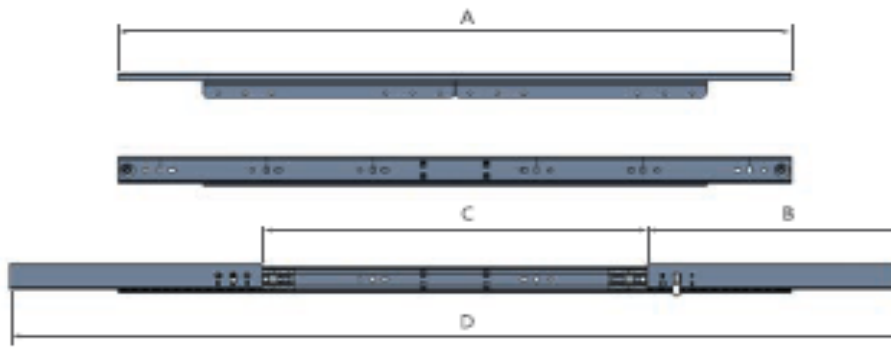
Track A	Track B	Track C	Track D
550 mm	235 mm	350 mm	820 mm
600 mm	235 mm	350 mm	820 mm
650 mm	235 mm	350 mm	820 mm
700 mm	250 mm	350 mm	850 mm
750 mm	300 mm	400 mm	1000 mm
800 mm	300 mm	450 mm	1050 mm
1000 mm	400 mm	640 mm	1440 mm



Track A	Track B	Track C	Track D	Sections
450 mm	450 mm	205 mm	1268	5

Code
FFMSBWHBG450

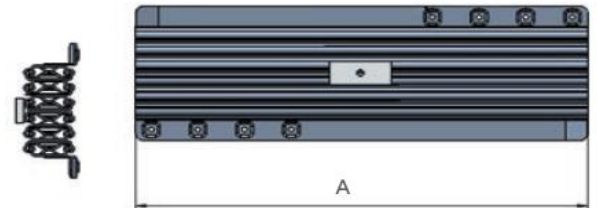
DINING TABLE MECHANISM



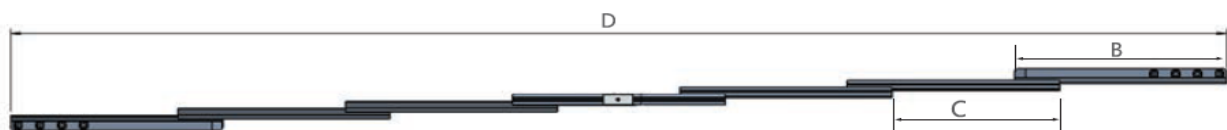
Track A	Track B	Track C	Track D
610 mm	130 mm	350 mm	610 mm
660 mm	130 mm	400 mm	660 mm
710 mm	130 mm	450 mm	710 mm
760 mm	130 mm	500 mm	760 mm
810 mm	130 mm	550 mm	810 mm

Code
FFMSBWHBL35A

TABLE MECHANISM



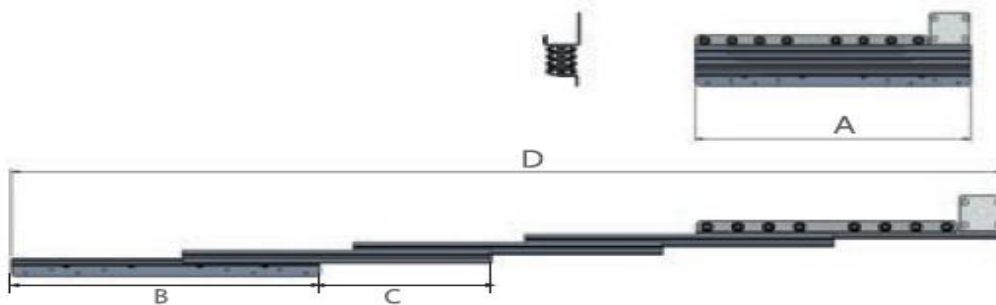
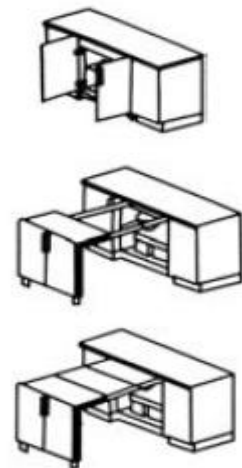
Code
FFMSBW HBN435



Track A	Track B	Track C	Track D
300 mm	300 mm	200 mm	1500 mm
343 mm	343 mm	235 mm	2700 mm
343 mm	343 mm	250 mm	1842 mm
350 mm	350 mm	213 mm	2900 mm
400 mm	400 mm	265 mm	3050 mm
400 mm	400 mm	275 mm	2050 mm
435 mm	435 mm	344 mm	2500 mm
680 mm	680 mm	470 mm	3500 mm
800 mm	800 mm	350 mm	2900 mm

Sections
7
11
7
13
11
7
7
7
7

TABLE MECHANISM

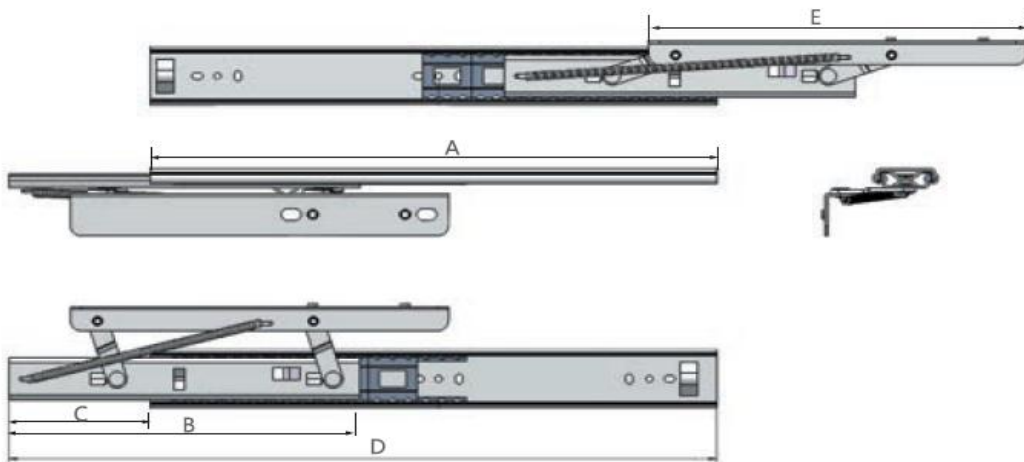


Code
FFMSBWHBN450

Track A	Track B	Track C	Track D
450 mm	450 mm	300 mm	1350 mm
450 mm	450 mm	250 mm	1450 mm
450 mm	450 mm	250 mm	1700 mm
450 mm	450 mm	250 mm	1950 mm

Sections
4
5
6
7

TABLE MECHANISM



Track A	Track B	Track C	Track D	Track E
430 mm	310 mm	140 mm	-	275 mm

Code
FFMSBWHBG430

TABLE MECHANISM



Track A	Track B	Track C	Extension
830 mm	225 mm	554 mm	300 mm
950 mm	225 mm	505 mm	300 mm
1024 mm	225 mm	579 mm	350 mm
1224 mm	288 mm	698 mm	400 mm
1254 mm	288 mm	719 mm	450 mm
1324 mm	288 mm	798 mm	500 mm

Code
FFMSBWHBAUTO

Part 4
Beds Mechanism



BED MECHANISM



Code
FFMJLWD01



Code
FFMJLWD02

BED MECHANISM



Code

FFMJLWD07



Code

FFMJLWDK01H

BED MECHANISM



Code

FFMJLWDK01



Code

FFMJLWDK02

BED MECHANISM

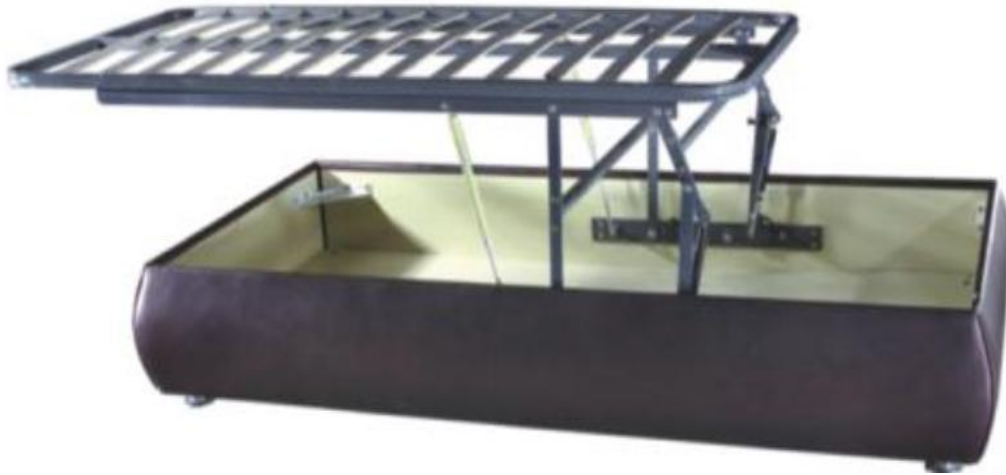


Code
FFMDJALL01
Width 160 cm



Code
FFMDJALL01M
Width 100 cm

BED MECHANISM



Code
FFMDJAL06



Code
FFMDJBD02

BED MECHANISM



Code
FFMJLAD03



Code
FFMJLAD02



Code
FFMJLAD01

BED MECHANISM



Code

FFMJLDJPW25



Code

FFMJLDJPW25D



Code

FFMJLDJPW11D



Code

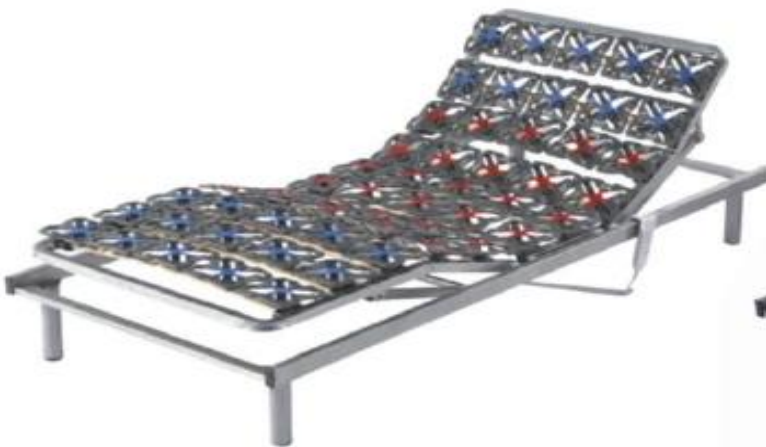
FFMJLDJPW37

BED MECHANISM



Code

FFMJLDJPW42



Code

FFMJLDJPW28



Code

FFMJLDJPW29



Code

FFMJLDJPW41



Code

FFMJLDJPW43